

Joe Davidson Memorial Tournament

102

Pool A

Bergonzi, Mac
Holahan, Say 4 Bergonzi, Mac
Fall 1:53

Strychalsk, El
Bye 5 Strychalsk, El
Bye

Crane, WF
Bye 9 Crane, WF
Bye

Bergonzi, Mac
Bye 13 Bergonzi, Mac
Bye

Strychalsk, El
Crane, WF 17
Crane, WF Dec 6-0

Holahan, Say
Bye 21 Holahan, Say
Bye

Bergonzi, Mac
Crane, WF 25 Bergonzi, Mac
Fall 4:49

Holahan, Say
Bye 29 Holahan, Say
Bye

Strychalsk, El
Bye 33 Strychalsk, El
Bye

Strychalsk, El
Holahan, Say 37
Holahan, Say Fall 5:53

Crane, WF
Bye 41 Crane, WF
Bye

Bergonzi, Mac
Bye 45 Bergonzi, Mac
Bye

Bergonzi, Mac
Strychalsk, El 49 Bergonzi, Mac
Fall 2:21

Holahan, Say
Crane, WF 53 Holahan, Say
Fall 3:20

Bye
Bye 57 Bye
Bye

Pool B

Meyer, WF
Grigoryan, Isp 2 Meyer, WF
Fall 3:15

Labella, Say
Bye 6 Labella, Say
Bye

Bye
Bye 10 Bye
Bye

Meyer, WF
Bye 14 Meyer, WF
Bye

Labella, Say
Bye 18 Labella, Say
Bye

Grigoryan, Isp
Bye 22 Grigoryan, Isp
Bye

Meyer, WF
Bye 26 Meyer, WF
Bye

Grigoryan, Isp
Bye 30 Grigoryan, Isp
Bye

Labella, Say
Bye 34 Labella, Say
Bye

Labella, Say
Grigoryan, Isp 38
Labella, Say Fall 1:56

Bye
Bye 42 Bye
Bye

Meyer, WF
Bye 46 Meyer, WF
Bye

Meyer, WF
Labella, Say 50 Meyer, WF
Fall 1:54

Grigoryan, Isp
Bye 54 Grigoryan, Isp
Bye

Bye
Bye 58 Bye
Bye

Pool C

ROUND 1

Keegan, SN
Homer, Isp 3 Homer, Isp
Fall 5:30

Orandello, Mac
Bye 7 Orandello, Mac
Bye

Jones, DP
Bye 11 Jones, DP
Bye

ROUND 2

Keegan, SN
Bye 15 Keegan, SN
Bye

Orandello, Mac
Jones, DP 19 Orandello, Mac
Fall 1:36

Homer, Isp
Bye 23 Homer, Isp
Bye

ROUND 3

Keegan, SN
Jones, DP 27 Keegan, SN
Fall 1:27

Homer, Isp
Bye 31 Homer, Isp
Bye

Orandello, Mac
Bye 35 Orandello, Mac
Bye

ROUND 4

Orandello, Mac
Homer, Isp 39 Orandello, Mac
Dec 10-3

Jones, DP
Bye 43 Jones, DP
Bye

Keegan, SN
Bye 47 Keegan, SN
Bye

ROUND 5

Keegan, SN
Orandello, Mac 51 Orandello, Mac
Fall 1:52

Homer, Isp
Jones, DP 55 Homer, Isp
For.

Bye
Bye 59 Bye
Bye

Pool D

DeStefano, El
Perez, Isp 4 DeStefano, El
Fall 0:26

Bardua, SN
Bye 8 Bardua, SN
Bye

Bye
Bye 12 Bye
Bye

DeStefano, El
Bye 16 DeStefano, El
Bye

Bardua, SN
Bye 20 Bardua, SN
Bye

Perez, Isp
Bye 24 Perez, Isp
Bye

DeStefano, El
Bye 28 DeStefano, El
Bye

Perez, Isp
Bye 32 Perez, Isp
Bye

Bardua, SN
Bye 36 Bardua, SN
Bye

Bardua, SN
Perez, Isp 40 Bardua, SN
Fall 1:40

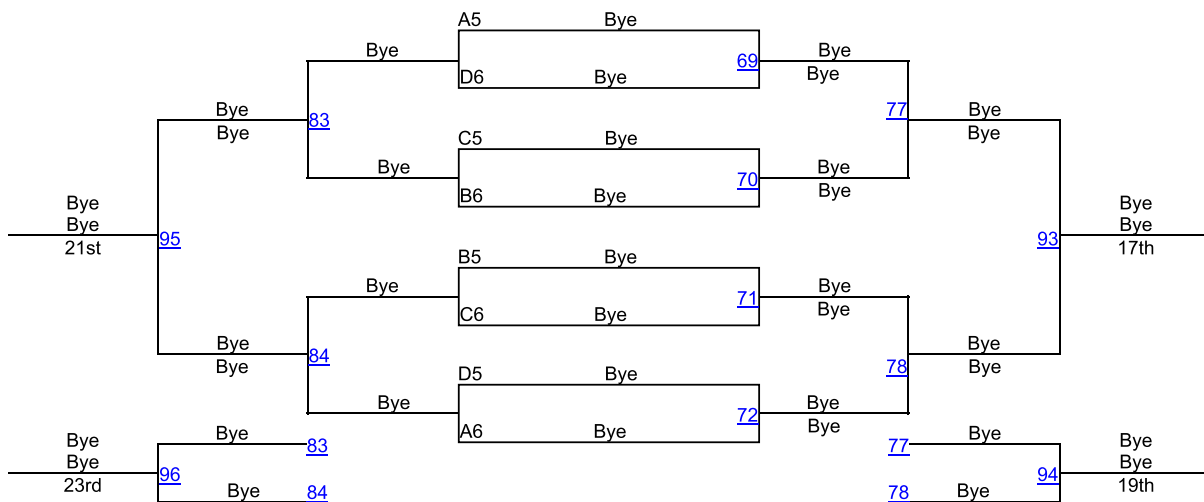
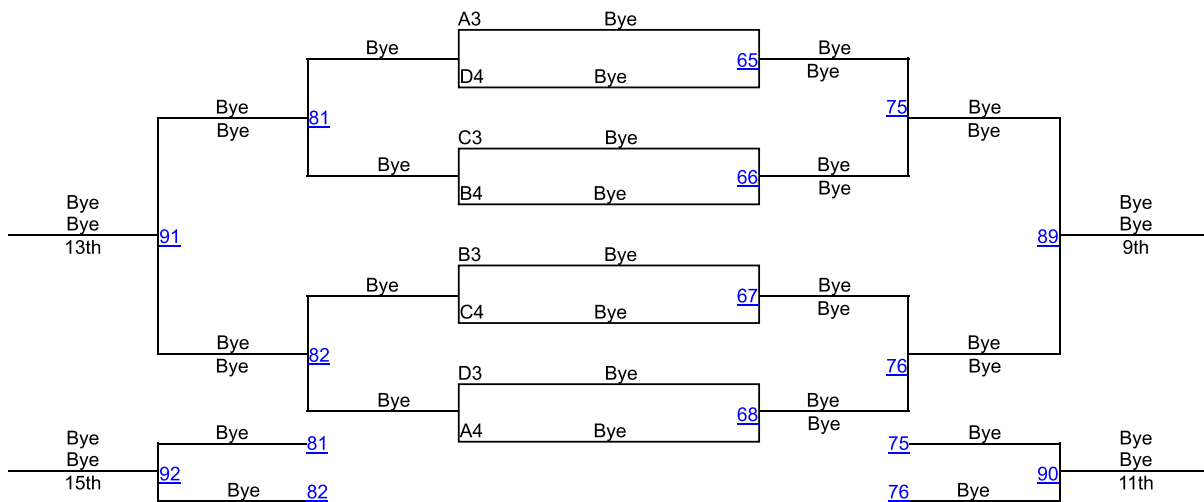
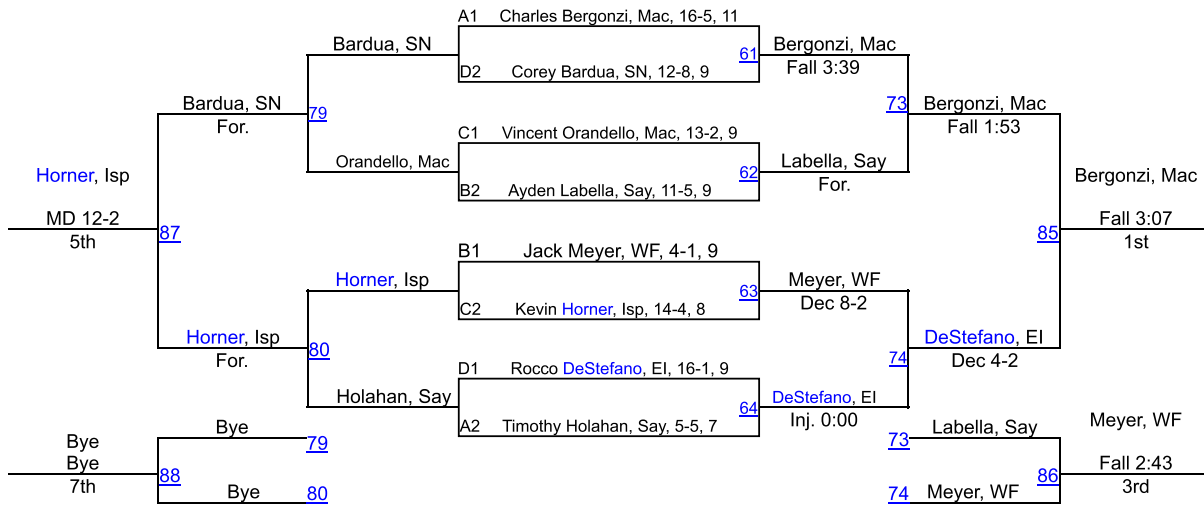
Bye
Bye 44 Bye
Bye

DeStefano, El
Bye 48 DeStefano, El
Bye

DeStefano, El
Bardua, SN 52 DeStefano, El
MD 9-0

Perez, Isp
Bye 56 Perez, Isp
Bye

Bye
Bye 60 Bye
Bye

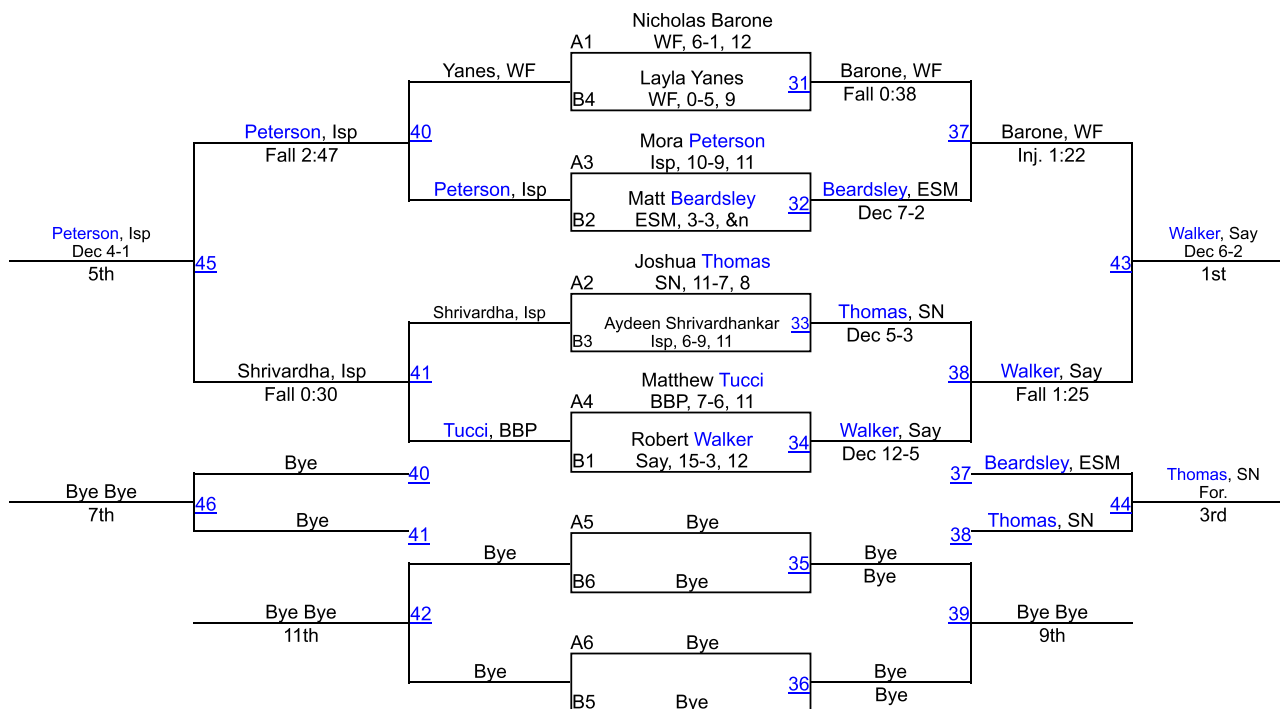


Joe Davidson Memorial Tournament

110

POOL A		Round 1	Round 2	Round 3	Round 4	Round 5
1	Matthew Tucci BBP, 7-6, 11	2 / Bout 1 Tucci, BBP Bye	3 / Bout 7 Tucci, BBP Dec 8-4	4 / Bout 13 Barone, WF Fall 1:12	5 / Bout 19 Peterson, Isp Dec 7-2	6 / Bout 25 Thomas, SN Fall 3:45
2	Bye	1 / Bout 1 Tucci, BBP Bye	5 / Bout 8 Peterson, Isp Bye	6 / Bout 14 Thomas, SN Bye	4 / Bout 20 Barone, WF Bye	3 / Bout 26 Brandt, EI Bye
3	Logan Brandt EI, 7-8, 11	4 / Bout 2 Barone, WF Dec 6-3	1 / Bout 7 Tucci, BBP Dec 8-4	5 / Bout 15 Peterson, Isp Dec 3-1	6 / Bout 21 Thomas, SN For.	2 / Bout 26 Brandt, EI Bye
4	Nicholas Barone WF, 6-1, 12	3 / Bout 2 Barone, WF Dec 6-3	6 / Bout 9 Barone, WF Fall 0:24	1 / Bout 13 Barone, WF Fall 1:12	2 / Bout 20 Barone, WF Bye	5 / Bout 27 Barone, WF Dec 5-0
5	Mora Peterson Isp, 10-9, 11	6 / Bout 3 Thomas, SN Dec 5-2	2 / Bout 8 Peterson, Isp Bye	3 / Bout 15 Peterson, Isp Dec 3-1	1 / Bout 19 Peterson, Isp Dec 7-2	4 / Bout 27 Barone, WF Dec 5-0
6	Joshua Thomas SN, 11-7, 8	5 / Bout 3 Thomas, SN Dec 5-2	4 / Bout 9 Barone, WF Fall 0:24	2 / Bout 14 Thomas, SN Bye	3 / Bout 21 Thomas, SN For.	1 / Bout 25 Thomas, SN Fall 3:45

POOL B		Round 1	Round 2	Round 3	Round 4	Round 5
1	Robert Walker Say, 15-3, 12	2 / Bout 4 Walker, Say Bye	3 / Bout 10 Walker, Say Bye	4 / Bout 16 Walker, Say Fall 0:49	5 / Bout 22 Walker, Say Dec 4-0	6 / Bout 28 Walker, Say Dec 6-2
2	Bye	1 / Bout 4 Walker, Say Bye	5 / Bout 11 Shrivardha, Isp Bye	6 / Bout 17 Beardsley, ESM Bye	4 / Bout 23 Yanes, WF Bye	3 / Bout 29 Bye Bye
3	Bye	4 / Bout 5 Yanes, WF Bye	1 / Bout 10 Walker, Say Bye	5 / Bout 18 Shrivardha, Isp Bye	6 / Bout 24 Beardsley, ESM Bye	2 / Bout 29 Bye Bye
4	Layla Yanes WF, 0-5, 9	3 / Bout 5 Yanes, WF Bye	6 / Bout 12 Beardsley, ESM Fall 0:42	1 / Bout 16 Walker, Say Fall 0:49	2 / Bout 23 Yanes, WF Bye	5 / Bout 30 Shrivardha, Isp Fall 1:27
5	Aydeen Shrivardhankar Isp, 6-9, 11	6 / Bout 6 Beardsley, ESM Fall 5:17	2 / Bout 11 Shrivardha, Isp Bye	3 / Bout 18 Shrivardha, Isp Bye	1 / Bout 22 Walker, Say Dec 4-0	4 / Bout 30 Shrivardha, Isp Fall 1:27
6	Matt Beardsley ESM, 3-3, &n	5 / Bout 6 Beardsley, ESM Fall 5:17	4 / Bout 12 Beardsley, ESM Fall 0:42	2 / Bout 17 Beardsley, ESM Bye	3 / Bout 24 Beardsley, ESM Bye	1 / Bout 28 Walker, Say Dec 6-2

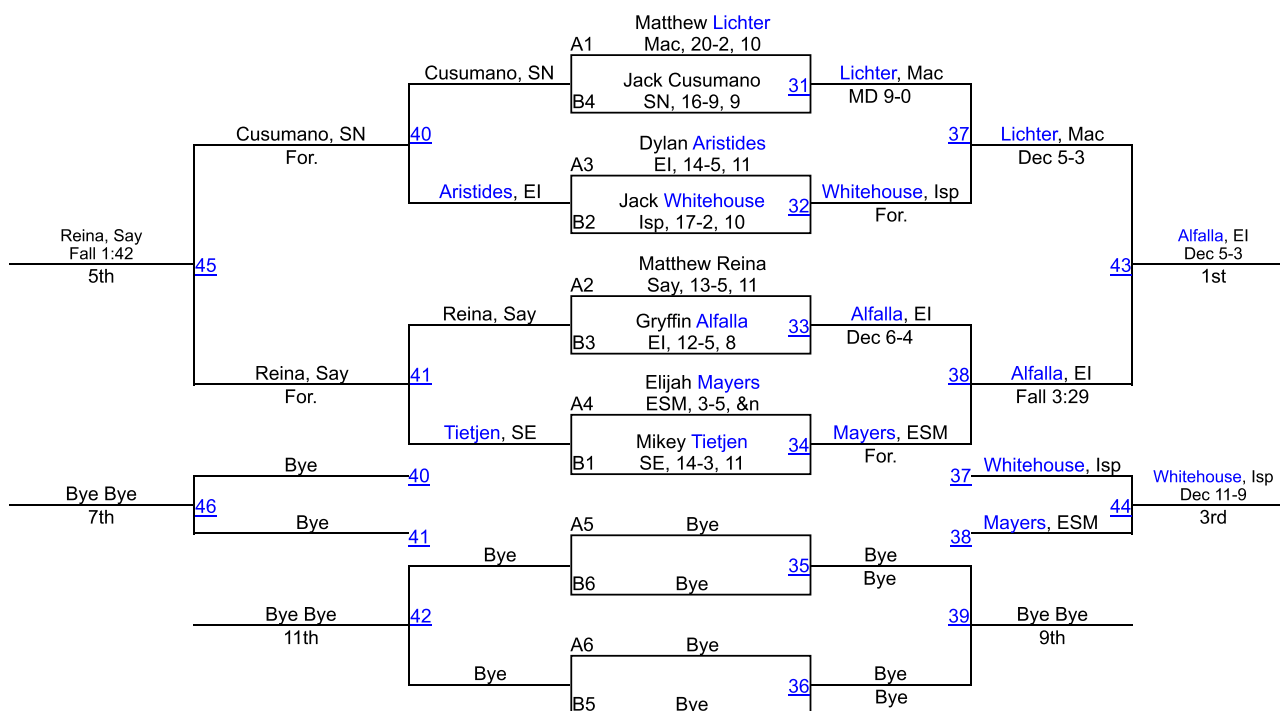


Joe Davidson Memorial Tournament

118

POOL A		Round 1	Round 2	Round 3	Round 4	Round 5
1	Quade Mather BBP, 3-10, 11	2 / Bout 1 Mayers, ESM Fall 2:45	3 / Bout 7 Mather, BBP Fall 0:27	4 / Bout 13 Reina, Say Fall 3:08	5 / Bout 19 Aristides, EI Fall 3:37	6 / Bout 25 Lichter, Mac Fall 1:19
2	Elijah Mayers ESM, 3-5, &n	1 / Bout 1 Mayers, ESM Fall 2:45	5 / Bout 8 Aristides, EI Dec 11-6	6 / Bout 14 Lichter, Mac Fall 3:37	4 / Bout 20 Reina, Say Fall 5:59	3 / Bout 26 Mayers, ESM Fall 1:43
3	Chris Huss SE, 3-9, 10	4 / Bout 2 Reina, Say Fall 3:20	1 / Bout 7 Mather, BBP Fall 0:27	5 / Bout 15 Aristides, EI Fall 0:52	6 / Bout 21 Lichter, Mac Fall 0:51	2 / Bout 26 Mayers, ESM Fall 1:43
4	Matthew Reina Say, 13-5, 11	3 / Bout 2 Reina, Say Fall 3:20	6 / Bout 9 Lichter, Mac Fall 1:27	1 / Bout 13 Reina, Say Fall 3:08	2 / Bout 20 Reina, Say Fall 5:59	5 / Bout 27 Reina, Say For.
5	Dylan Aristides EI, 14-5, 11	6 / Bout 3 Lichter, Mac Dec 6-0	2 / Bout 8 Aristides, EI Dec 11-6	3 / Bout 15 Aristides, EI Fall 0:52	1 / Bout 19 Aristides, EI Fall 3:37	4 / Bout 27 Reina, Say For.
6	Matthew Lichter Mac, 20-2, 10	5 / Bout 3 Lichter, Mac Dec 6-0	4 / Bout 9 Lichter, Mac Fall 1:27	2 / Bout 14 Lichter, Mac Fall 3:37	3 / Bout 21 Lichter, Mac Fall 0:51	1 / Bout 25 Lichter, Mac Fall 1:19

POOL B		Round 1	Round 2	Round 3	Round 4	Round 5
1	Jack Whitehouse Isp, 17-2, 10	2 / Bout 4 Whitehouse, Isp Fall 1:51	3 / Bout 10 Whitehouse, Isp Fall 3:21	4 / Bout 16 Tietjen, SE SV-1 8-6	5 / Bout 22 Whitehouse, Isp TB-2 13-9	6 / Bout 28 Whitehouse, Isp Dec 6-3
2	Jameson Ackley ESM, 0-5, &n	1 / Bout 4 Whitehouse, Isp Fall 1:51	5 / Bout 11 Cusumano, SN MD 12-2	6 / Bout 17 Alfalla, EI Fall 0:45	4 / Bout 23 Tietjen, SE Fall 1:20	3 / Bout 29 Faraci, Say Dec 5-3
3	Andrew Faraci Say, 2-10, 11	4 / Bout 5 Tietjen, SE Fall 1:43	1 / Bout 10 Whitehouse, Isp Fall 3:21	5 / Bout 18 Cusumano, SN Fall 3:46	6 / Bout 24 Alfalla, EI Fall 0:12	2 / Bout 29 Faraci, Say Dec 5-3
4	Mikey Tietjen SE, 14-3, 11	3 / Bout 5 Tietjen, SE Fall 1:43	6 / Bout 12 Tietjen, SE Inj. 2:45	1 / Bout 16 Tietjen, SE SV-1 8-6	2 / Bout 23 Tietjen, SE Fall 1:20	5 / Bout 30 Tietjen, SE Dec 9-2
5	Jack Cusumano SN, 16-9, 9	6 / Bout 6 Alfalla, EI MD 13-1	2 / Bout 11 Cusumano, SN MD 12-2	3 / Bout 18 Cusumano, SN Fall 3:46	1 / Bout 22 Whitehouse, Isp TB-2 13-9	4 / Bout 30 Tietjen, SE Dec 9-2
6	Gryffin Alfalla EI, 12-5, 8	5 / Bout 6 Alfalla, EI MD 13-1	4 / Bout 12 Tietjen, SE Inj. 2:45	2 / Bout 17 Alfalla, EI Fall 0:45	3 / Bout 24 Alfalla, EI Fall 0:12	1 / Bout 28 Whitehouse, Isp Dec 6-3



Joe Davidson Memorial Tournament

126

Pool A

Patanjo, SE
 Caputo, SN 1 Patanjo, SE
 Fall 1:12

Bye
 Bye 5 Bye
 Bye

Milankovic, DP
 Bye 9 Milankovic, DP
 Bye

Patanjo, SE
 Bye 13 Patanjo, SE
 Bye

Bye Milankovic, DP
 Milankovic, DP 17 Bye

Caputo, SN
 Bye 21 Caputo, SN
 Bye

Patanjo, SE
 Milankovic, DP 25 Patanjo, SE
 Fall 1:33

Caputo, SN
 Bye 29 Caputo, SN
 Bye

Bye
 Bye 33 Bye
 Bye

Bye
 Caputo, SN 37 Caputo, SN
 Bye

Milankovic, DP
 Bye 41 Milankovic, DP
 Bye

Patanjo, SE
 Bye 45 Patanjo, SE
 Bye

Patanjo, SE
 Bye 49 Patanjo, SE
 Bye

Caputo, SN
 Milankovic, DP 53 Caputo, SN
 Fall 3:25

Bye
 Bye 57 Bye
 Bye

Pool B

Walsh, EI
 Paletta, Mac 2 Walsh, EI
 Fall 1:17

Bye
 Bye 6 Bye
 Bye

Collins, WF
 Bye 10 Collins, WF
 Bye

Walsh, EI
 Bye 14 Walsh, EI
 Bye

Bye Collins, WF
 Collins, WF 18 Bye

Paletta, Mac
 Bye 22 Paletta, Mac
 Bye

Walsh, EI
 Collins, WF 26 Collins, WF
 Dec 5-2

Paletta, Mac
 Bye 30 Paletta, Mac
 Bye

Bye
 Bye 34 Bye
 Bye

Bye
 Paletta, Mac 38 Paletta, Mac
 Bye

Collins, WF
 Bye 42 Collins, WF
 Bye

Walsh, EI
 Bye 46 Walsh, EI
 Bye

Walsh, EI
 Bye 50 Walsh, EI
 Bye

Paletta, Mac
 Collins, WF 54 Collins, WF
 Fall 1:43

Bye
 Bye 58 Bye
 Bye

Pool C

ROUND 1

Lukas, ESM
 Kaufman, Mac 3 Lukas, ESM
 Dec 7-2

Tuorto, Isp
 Bye 7 Tuorto, Isp
 Bye

Devito, Say
 Bye 11 Devito, Say
 Bye

ROUND 2

Lukas, ESM
 Bye 15 Lukas, ESM
 Bye

Tuorto, Isp
 Devito, Say 19 Tuorto, Isp
 Fall 1:13

Kaufman, Mac
 Bye 23 Kaufman, Mac
 Bye

ROUND 3

Lukas, ESM
 Devito, Say 27 Lukas, ESM
 Fall 1:47

Kaufman, Mac
 Bye 31 Kaufman, Mac
 Bye

Tuorto, Isp
 Bye 35 Tuorto, Isp
 Bye

ROUND 4

Tuorto, Isp
 Kaufman, Mac 39 Tuorto, Isp
 Dec 6-5

Devito, Say
 Bye 43 Devito, Say
 Bye

Lukas, ESM
 Bye 47 Lukas, ESM
 Bye

ROUND 5

Lukas, ESM
 Tuorto, Isp 51 Tuorto, Isp
 Dec 8-7

Kaufman, Mac
 Devito, Say 55 Kaufman, Mac
 TF-1.5 0:00 (16-0)

Bye
 Bye 59 Bye
 Bye

Pool D

Bosse, BBP
 Soldinger, Isp 4 Soldinger, Isp
 Dec 8-1

Pires, ESM
 Bye 8 Pires, ESM
 Bye

Bye
 Bye 12 Bye
 Bye

Bosse, BBP
 Bye 16 Bosse, BBP
 Bye

Pires, ESM
 Bye 20 Pires, ESM
 Bye

Soldinger, Isp
 Bye 24 Soldinger, Isp
 Bye

Bosse, BBP
 Bye 28 Bosse, BBP
 Bye

Soldinger, Isp
 Bye 32 Soldinger, Isp
 Bye

Pires, ESM
 Bye 36 Pires, ESM
 Bye

Pires, ESM
 Soldinger, Isp 40 Soldinger, Isp
 Dec 8-6

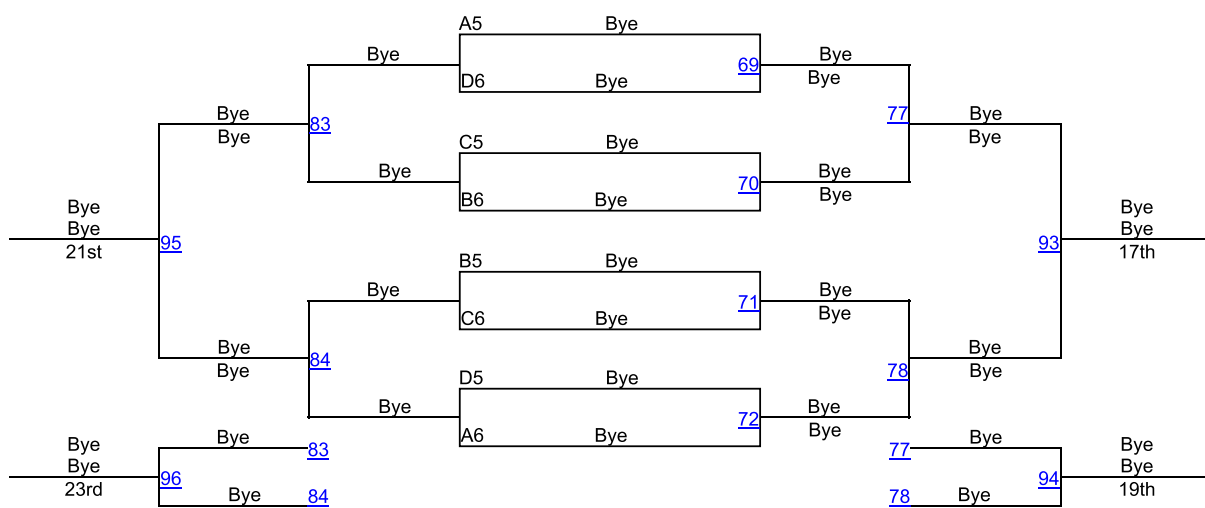
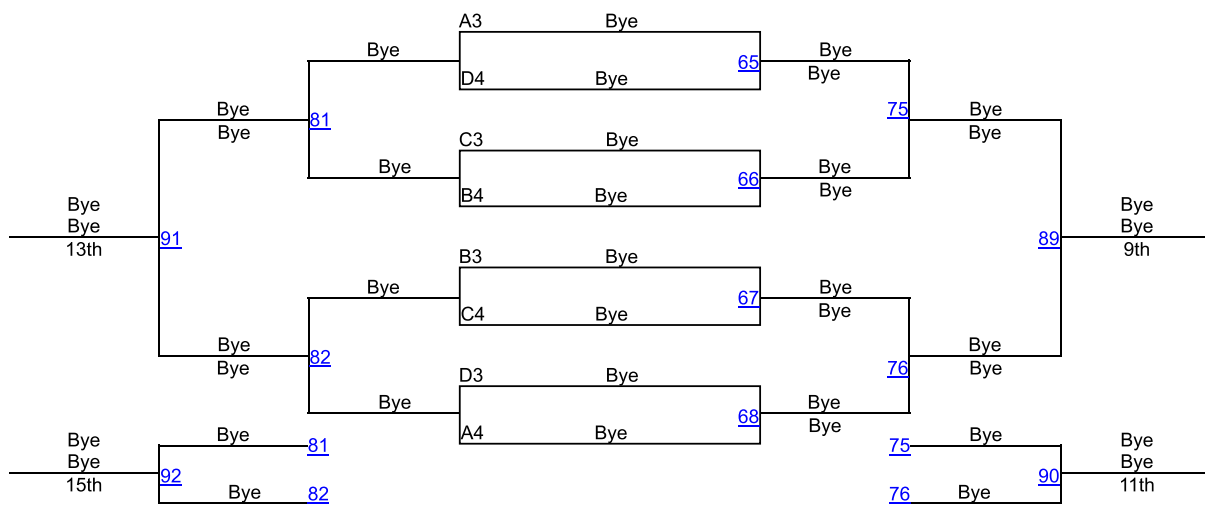
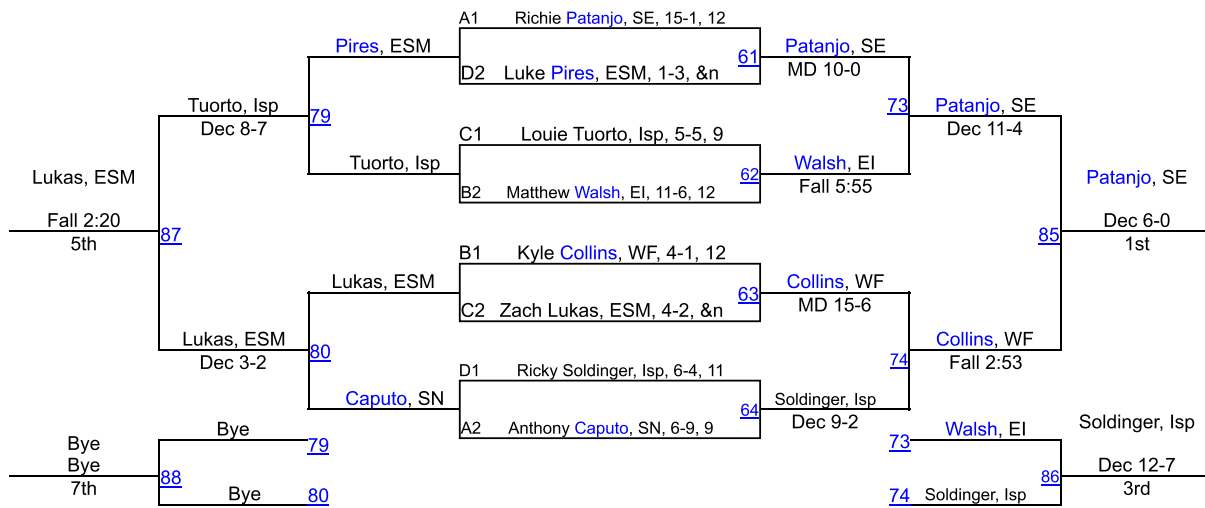
Bye
 Bye 44 Bye
 Bye

Bosse, BBP
 Bye 48 Bosse, BBP
 Bye

Bosse, BBP
 Pires, ESM 52 Pires, ESM
 Dec 9-6

Soldinger, Isp
 Bye 56 Soldinger, Isp
 Bye

Bye
 Bye 60 Bye
 Bye



Joe Davidson Memorial Tournament

132

Pool A

Mongiello, Say
Boreshesky, SN 1
Fall 2:23

Bye
Bye 5

Balsamo, ESM
Bye 9

Mongiello, Say
Bye 13

Bye
Balsamo, ESM 17

Boreshesky, SN
Bye 21

Mongiello, Say
Balsamo, ESM 25
Fall 1:12

Boreshesky, SN
Bye 29

Bye
Bye 33

Bye
Boreshesky, SN 37

Balsamo, ESM
Bye 41

Mongiello, Say
Bye 45

Mongiello, Say
Bye 49

Boreshesky, SN
Balsamo, ESM 53
Fall 3:23

Bye
Bye 57

Pool B

Mankowich, SN
Delta, SN 2
TF-1.5 0:00 (18-1)

Panebianco, SE
Bye 6

Hernandez, WF
Bye 10

Mankowich, SN
Bye 14

Panebianco, SE
Hernandez, WF 18
MD 12-4

Delta, SN
Bye 22

Mankowich, SN
Hernandez, WF 26
Fall 0:40

Delta, SN
Bye 30

Panebianco, SE
Bye 34

Panebianco, SE
Delta, SN 38
Dec 6-2

Hernandez, WF
Bye 42

Mankowich, SN
Bye 46

Mankowich, SN
Panebianco, SE 50
TF-1.5 0:00 (16-1)

Delta, SN
Hernandez, WF 54
Fall 5:35

Bye
Bye 58

Pool C

Haynes, Isp
Lennihan, Say 3
Fall 4:19

Zadrazil, ESM
Bye 7

Pascuzzi-W, SE
Bye 11

Haynes, Isp
Bye 15

Zadrazil, ESM
Pascuzzi-W, SE 19
Dec 9-7

Lennihan, Say
Bye 23

Haynes, Isp
Pascuzzi-W, SE 27
Fall 3:20

Lennihan, Say
Bye 31

Zadrazil, ESM
Bye 35

Zadrazil, ESM
Lennihan, Say 39
TF-1.5 0:00 (17-2)

Pascuzzi-W, SE
Bye 43

Haynes, Isp
Bye 47

Haynes, Isp
Zadrazil, ESM 51
Fall 1:31

Lennihan, Say
Pascuzzi-W, SE 55
TF-1.5 0:00 (19-3)

Bye
Bye 59

Pool D

Alfalfa, EI
Reyes-Hern, WF 4
MD 10-0

Burke, Mac
Bye 8

Marchitto, SE
Bye 12

Alfalfa, EI
Bye 16

Burke, Mac
Marchitto, SE 20
Fall 0:55

Reyes-Hern, WF
Bye 24

Alfalfa, EI
Marchitto, SE 28
Fall 1:00

Reyes-Hern, WF
Bye 32

Burke, Mac
Bye 36

Burke, Mac
Reyes-Hern, WF 40
Fall 5:49

Marchitto, SE
Bye 44

Alfalfa, EI
Bye 48

Alfalfa, EI
Burke, Mac 52
Fall 2:47

Reyes-Hern, WF
Marchitto, SE 58
MD 10-1

Bye
Bye 60

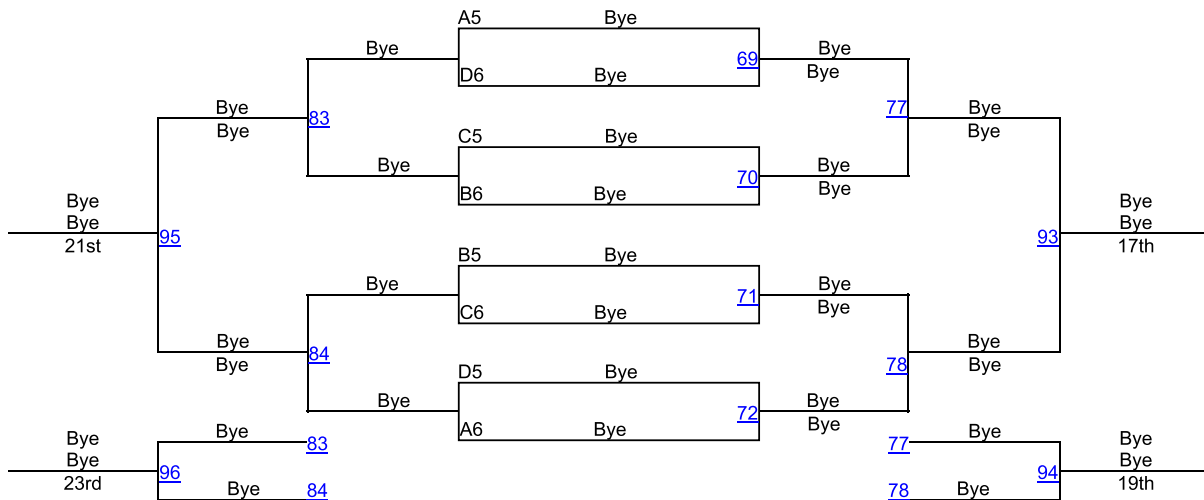
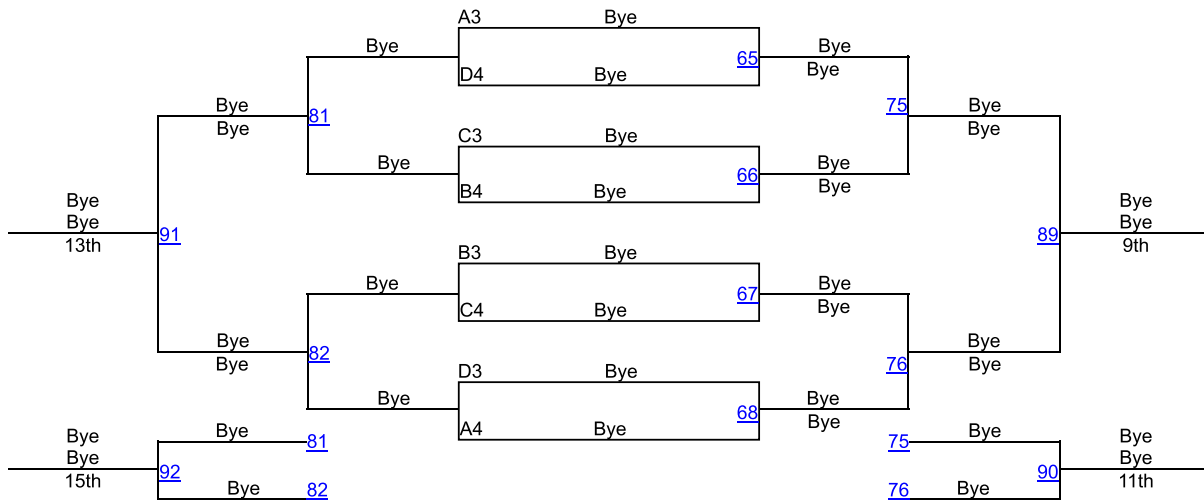
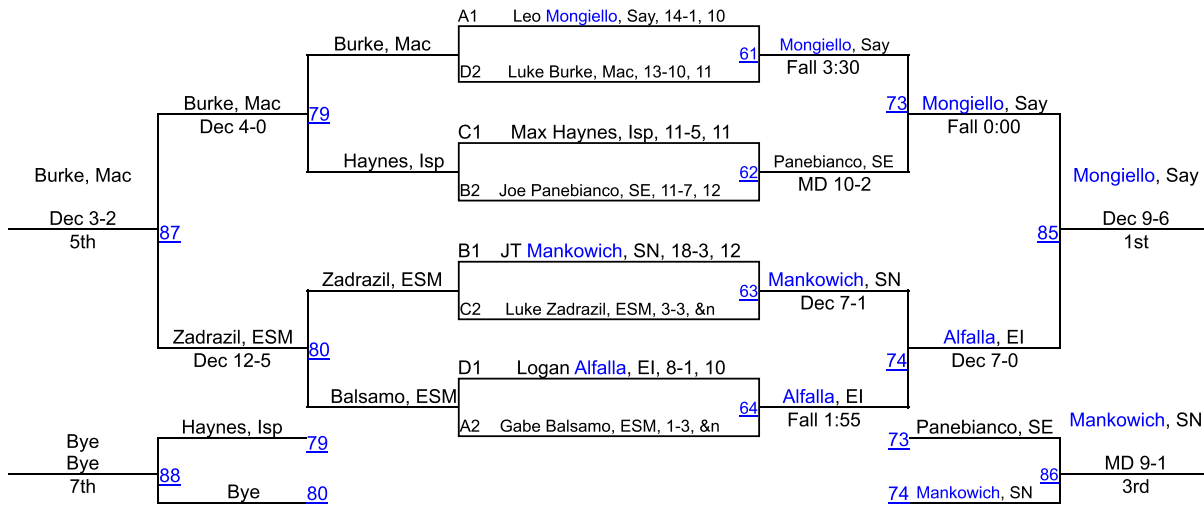
ROUND 1

ROUND 2

ROUND 3

ROUND 4

ROUND 5

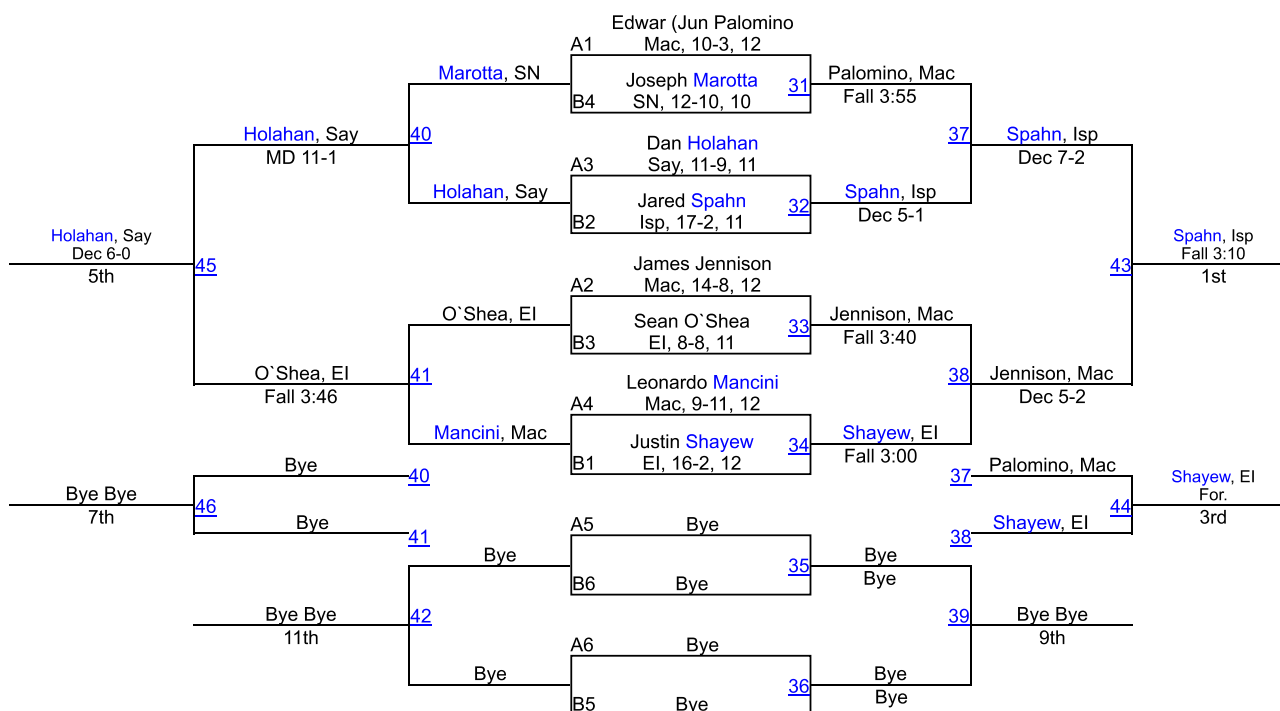


Joe Davidson Memorial Tournament

138

POOL A		Round 1	Round 2	Round 3	Round 4	Round 5
1	Edwar (Jun Palomino Mac, 10-3, 12	2 / Bout 1 Palomino, Mac Fall 0:43	3 / Bout 7 Palomino, Mac Fall 2:29	4 / Bout 13 Palomino, Mac Fall 1:05	5 / Bout 19 Palomino, Mac TF-1.5 0:00 (20-3)	6 / Bout 25 Palomino, Mac Dec 3-1
2	John Demorest ESM, 1-4, &n	1 / Bout 1 Palomino, Mac Fall 0:43	5 / Bout 8 Mancini, Mac Fall 3:03	6 / Bout 14 Jennison, Mac Fall 0:17	4 / Bout 20 Holahan, Say Fall 0:24	3 / Bout 26 Demorest, ESM For.
3	Austin Brendl SE, 3-10, 10	4 / Bout 2 Holahan, Say MD 10-0	1 / Bout 7 Palomino, Mac Fall 2:29	5 / Bout 15 Mancini, Mac Dec 8-4	6 / Bout 21 Jennison, Mac Inj. 4:00	2 / Bout 26 Demorest, ESM For.
4	Dan Holahan Say, 11-9, 11	3 / Bout 2 Holahan, Say MD 10-0	6 / Bout 9 Jennison, Mac Dec 6-4	1 / Bout 13 Palomino, Mac Fall 1:05	2 / Bout 20 Holahan, Say Fall 0:24	5 / Bout 27 Holahan, Say Fall 4:16
5	Leonardo Mancini Mac, 9-11, 12	6 / Bout 3 Jennison, Mac Dec 8-4	2 / Bout 8 Mancini, Mac Fall 3:03	3 / Bout 15 Mancini, Mac Dec 8-4	1 / Bout 19 Palomino, Mac TF-1.5 0:00 (20-3)	4 / Bout 27 Holahan, Say Fall 4:16
6	James Jennison Mac, 14-8, 12	5 / Bout 3 Jennison, Mac Dec 8-4	4 / Bout 9 Jennison, Mac Dec 6-4	2 / Bout 14 Jennison, Mac Fall 0:17	3 / Bout 21 Jennison, Mac Inj. 4:00	1 / Bout 25 Palomino, Mac Dec 3-1

POOL B		Round 1	Round 2	Round 3	Round 4	Round 5
1	Jared Spahn Isp, 17-2, 11	2 / Bout 4 Spahn, Isp Fall 1:19	3 / Bout 10 Spahn, Isp Fall 0:47	4 / Bout 16 Spahn, Isp Fall 3:03	5 / Bout 22 Spahn, Isp Fall 5:19	6 / Bout 28 Shayew, EI Dec 3-2
2	Brady Miller WF, 1-4, 11	1 / Bout 4 Spahn, Isp Fall 1:19	5 / Bout 11 O'Shea, EI Fall 1:32	6 / Bout 17 Shayew, EI Fall 0:43	4 / Bout 23 Marotta, SN Dec 2-1	3 / Bout 29 Miller, WF Dec 13-8
3	Josh Capobianco Say, 3-13, 11	4 / Bout 5 Marotta, SN Dec 7-4	1 / Bout 10 Spahn, Isp Fall 0:47	5 / Bout 18 O'Shea, EI MD 11-1	6 / Bout 24 Shayew, EI Fall 0:33	2 / Bout 29 Miller, WF Dec 13-8
4	Joseph Marotta SN, 12-10, 10	3 / Bout 5 Marotta, SN Dec 7-4	6 / Bout 12 Shayew, EI Fall 0:39	1 / Bout 16 Spahn, Isp Fall 3:03	2 / Bout 23 Marotta, SN Dec 2-1	5 / Bout 30 O'Shea, EI Dec 6-5
5	Sean O'Shea EI, 8-8, 11	6 / Bout 6 Shayew, EI Fall 1:34	2 / Bout 11 O'Shea, EI Fall 1:32	3 / Bout 18 O'Shea, EI MD 11-1	1 / Bout 22 Spahn, Isp Fall 5:19	4 / Bout 30 O'Shea, EI Dec 6-5
6	Justin Shayew EI, 16-2, 12	5 / Bout 6 Shayew, EI Fall 1:34	4 / Bout 12 Shayew, EI Fall 0:39	2 / Bout 17 Shayew, EI Fall 0:43	3 / Bout 24 Shayew, EI Fall 0:33	1 / Bout 28 Shayew, EI Dec 3-2



Joe Davidson Memorial Tournament

145

Pool A

Barber, BBP
Luffman, Say 1 Barber, BBP
Fall 1:20

Scomello J, Say
Bye 5 Scomello J, Say
Bye

Delucca, Isp
Bye 9 Delucca, Isp
Bye

Barber, BBP
Bye 13 Barber, BBP
Bye

Scomello J, Say
Delucca, Isp 17 Delucca, Isp
Dec 5-2

Luffman, Say
Bye 21 Luffman, Say
Bye

Barber, BBP
Delucca, Isp 25 Barber, BBP
Dec 6-0

Luffman, Say
Bye 29 Luffman, Say
Bye

Scomello J, Say
Bye 33 Scomello J, Say
Bye

Scomello J, Say
Luffman, Say 37 Luffman, Say
Dec 9-3

Delucca, Isp
Bye 41 Delucca, Isp
Bye

Barber, BBP
Bye 45 Barber, BBP
Bye

Barber, BBP
Scomello J, Say 49 Barber, BBP
Fall 1:23

Luffman, Say
Delucca, Isp 53 Luffman, Say
Dec 5-2

Bye
Bye 57 Bye
Bye

Pool B

Avitabile, EI
Casey, Say 2 Avitabile, EI
Fall 3:45

Williamson, SN
Bye 6 Williamson, SN
Bye

Nickel, Isp
Bye 10 Nickel, Isp
Bye

Avitabile, EI
Bye 14 Avitabile, EI
Bye

Williamson, SN
Nickel, Isp 18 Nickel, Isp
Fall 1:46

Casey, Say
Bye 22 Casey, Say
Bye

Avitabile, EI
Nickel, Isp 26 Avitabile, EI
Fall 0:51

Casey, Say
Bye 30 Casey, Say
Bye

Williamson, SN
Bye 34 Williamson, SN
Bye

Williamson, SN
Casey, Say 38 Williamson, SN
Dec 7-0

Nickel, Isp
Bye 42 Nickel, Isp
Bye

Avitabile, EI
Bye 46 Avitabile, EI
Bye

Avitabile, EI
Williamson, SN 50 Avitabile, EI
Fall 0:37

Casey, Say
Nickel, Isp 54 Nickel, Isp
Fall 3:56

Bye
Bye 58 Bye
Bye

Pool C

ROUND 1

Schnyer, SN
Gennaro, DP 3 Schnyer, SN
Fall 2:51

Daidone, BBP
Bye 7 Daidone, BBP
Bye

Raynor, ESM
Bye 11 Raynor, ESM
Bye

ROUND 2

Schnyer, SN
Bye 15 Schnyer, SN
Bye

Daidone, BBP
Raynor, ESM 19 Daidone, BBP
Dec 8-7

Gennaro, DP
Bye 23 Gennaro, DP
Bye

ROUND 3

Schnyer, SN
Raynor, ESM 27 Schnyer, SN
Dec 10-6

Gennaro, DP
Bye 31 Gennaro, DP
Bye

Daidone, BBP
Bye 35 Daidone, BBP
Bye

ROUND 4

Daidone, BBP
Gennaro, DP 39 Daidone, BBP
Dec 5-1

Raynor, ESM
Bye 43 Raynor, ESM
Bye

Schnyer, SN
Bye 47 Schnyer, SN
Bye

ROUND 5

Schnyer, SN
Daidone, BBP 51 Daidone, BBP
Dec 8-2

Gennaro, DP
Raynor, ESM 55 Raynor, ESM
Fall 0:58

Bye
Bye 59 Bye
Bye

Pool D

Trahey, EI
Gesualdi, WF 4 Trahey, EI
Fall 1:15

Berrios, SN
Bye 8 Berrios, SN
Bye

Sbaschnik, ESM
Bye 12 Sbaschnik, ESM
Bye

Trahey, EI
Bye 16 Trahey, EI
Bye

Berrios, SN
Sbaschnik, ESM 20 Berrios, SN
Fall 3:30

Gesualdi, WF
Bye 24 Gesualdi, WF
Bye

Trahey, EI
Sbaschnik, ESM 28 Trahey, EI
Fall 1:01

Gesualdi, WF
Bye 32 Gesualdi, WF
Bye

Berrios, SN
Bye 36 Berrios, SN
Bye

Berrios, SN
Gesualdi, WF 40 Berrios, SN
Fall 2:25

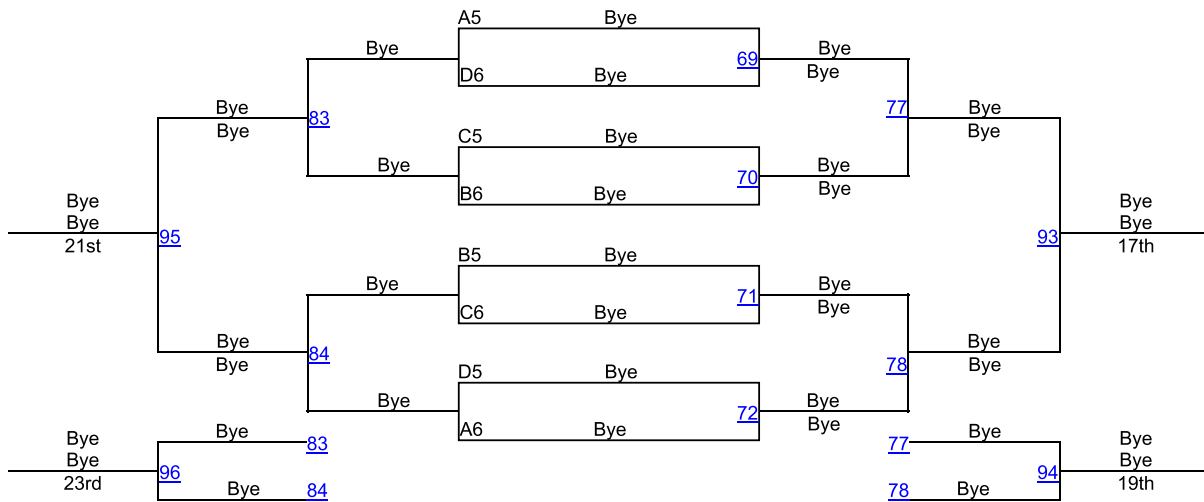
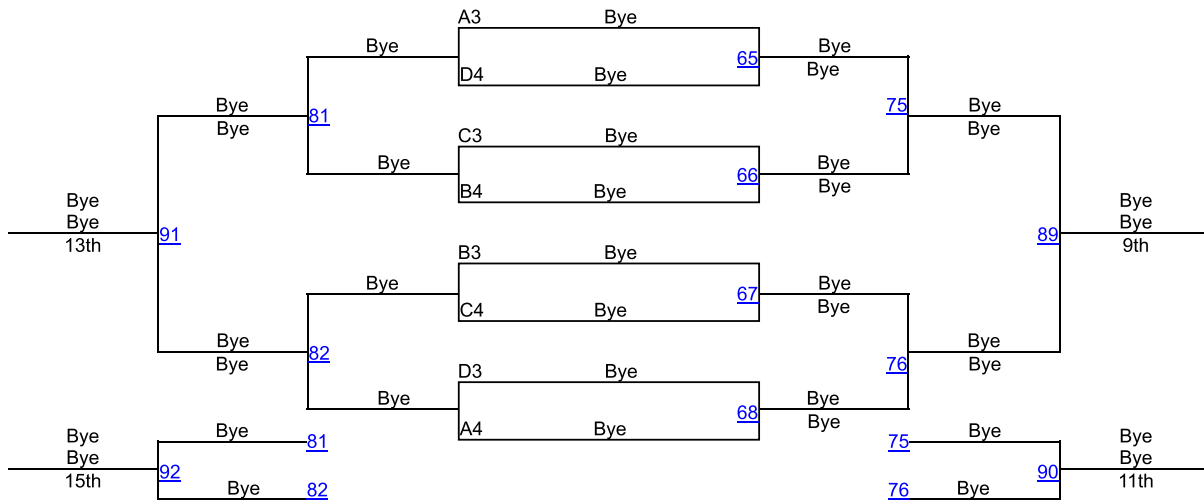
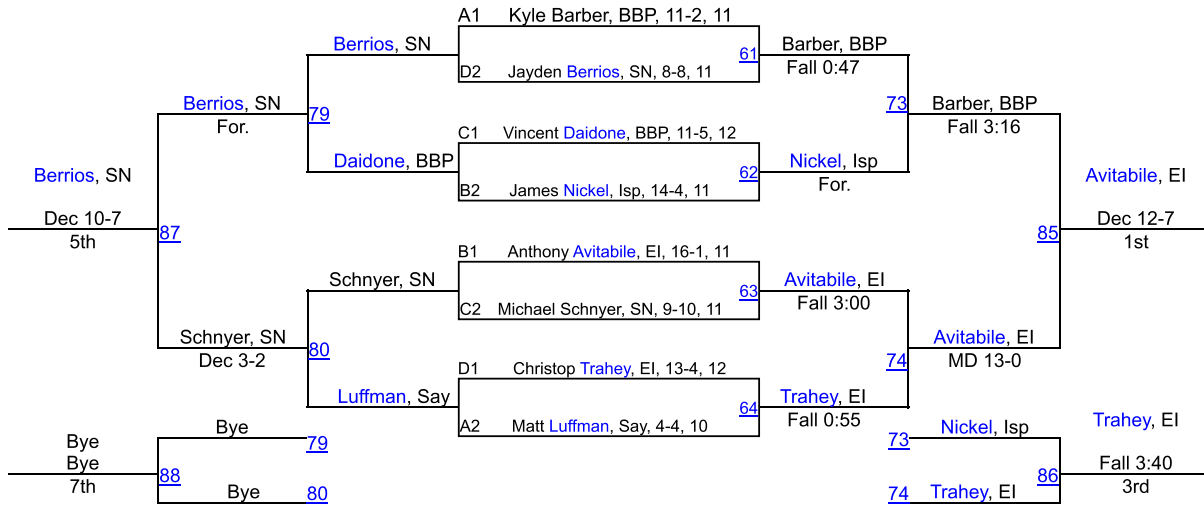
Sbaschnik, ESM
Bye 44 Sbaschnik, ESM
Bye

Trahey, EI
Bye 48 Trahey, EI
Bye

Trahey, EI
Berrios, SN 52 Trahey, EI
Fall 1:28

Gesualdi, WF
Sbaschnik, ESM 56 Gesualdi, WF
Fall 1:00

Bye
Bye 60 Bye
Bye

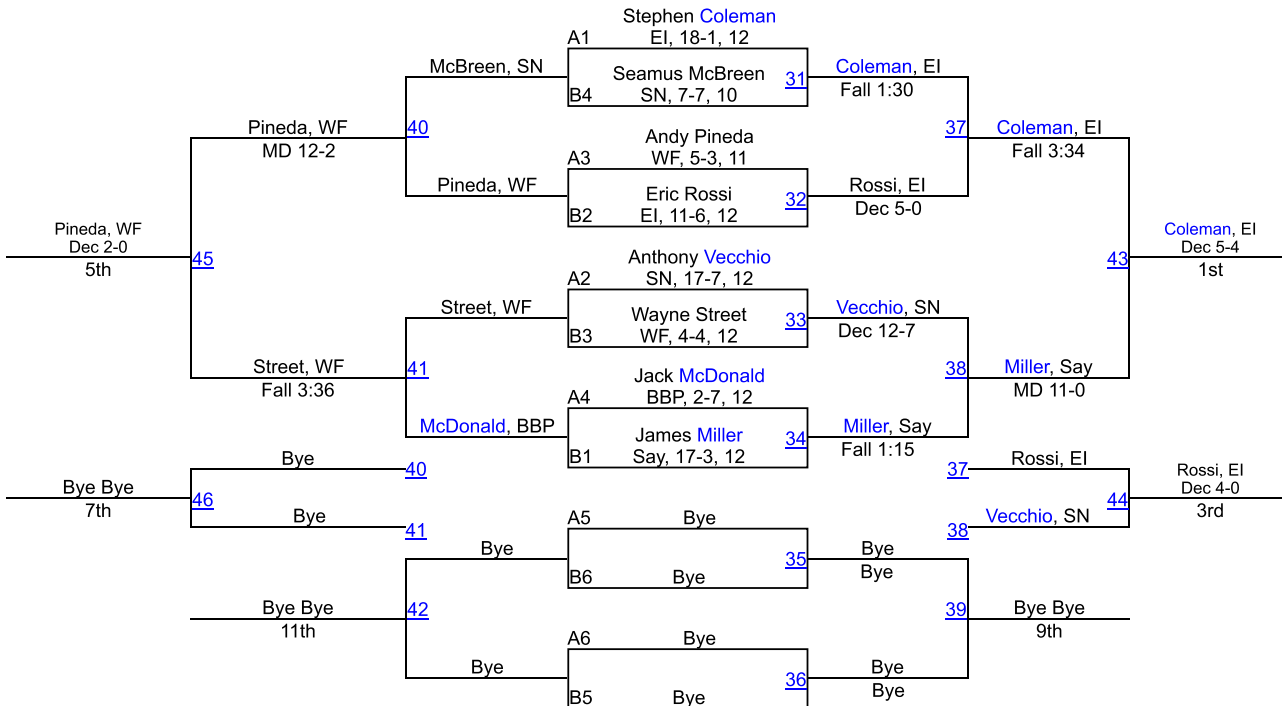


Joe Davidson Memorial Tournament

152

POOL A		Round 1	Round 2	Round 3	Round 4	Round 5
1	Stephen Coleman EI, 18-1, 12	2 / Bout 1 Coleman, EI Fall 0:50	3 / Bout 7 Coleman, EI Fall 4:24	4 / Bout 13 Coleman, EI Fall 0:14	5 / Bout 19 Coleman, EI Fall 1:58	6 / Bout 25 Coleman, EI Fall 3:27
2	James Waller ESM, 1-4, &n	1 / Bout 1 Coleman, EI Fall 0:50	5 / Bout 8 Waller, ESM Fall 3:21	6 / Bout 14 Vecchio, SN Fall 0:14	4 / Bout 20 McDonald, BBP Fall 0:48	3 / Bout 26 Pineda, WF Fall 2:45
3	Andy Pineda WF, 5-3, 11	4 / Bout 2 Pineda, WF Fall 0:27	1 / Bout 7 Coleman, EI Fall 4:24	5 / Bout 15 Pineda, WF MD 14-4	6 / Bout 21 Vecchio, SN Fall 1:17	2 / Bout 26 Pineda, WF Fall 2:45
4	Jack McDonald BBP, 2-7, 12	3 / Bout 2 Pineda, WF Fall 0:27	6 / Bout 9 Vecchio, SN Fall 1:37	1 / Bout 13 Coleman, EI Fall 0:14	2 / Bout 20 McDonald, BBP Fall 0:48	5 / Bout 27 McDonald, BBP Fall 3:39
5	Johnny Rodriguez SE, 0-6, 11	6 / Bout 3 Vecchio, SN Fall 1:00	2 / Bout 8 Waller, ESM Fall 3:21	3 / Bout 15 Pineda, WF MD 14-4	1 / Bout 19 Coleman, EI Fall 1:58	4 / Bout 27 McDonald, BBP Fall 3:39
6	Anthony Vecchio SN, 17-7, 12	5 / Bout 3 Vecchio, SN Fall 1:00	4 / Bout 9 Vecchio, SN Fall 1:37	2 / Bout 14 Vecchio, SN Fall 0:14	3 / Bout 21 Vecchio, SN Fall 1:17	1 / Bout 25 Coleman, EI Fall 3:27

POOL B		Round 1	Round 2	Round 3	Round 4	Round 5
1	James Miller Say, 17-3, 12	2 / Bout 4 Miller, Say Fall 3:06	3 / Bout 10 Miller, Say Dec 11-7	4 / Bout 16 Miller, Say TF-1.5 0:00 (18-3)	5 / Bout 22 Miller, Say Fall 0:50	6 / Bout 28 Miller, Say MD 13-3
2	Josh Ferrari ESM, 0-5, &n	1 / Bout 4 Miller, Say Fall 3:06	5 / Bout 11 Vecchio, SN Dec 7-4	6 / Bout 17 Rossi, EI For.	4 / Bout 23 McBreen, SN For.	3 / Bout 29 Street, WF For.
3	Wayne Street WF, 4-4, 12	4 / Bout 5 Street, WF Fall 0:22	1 / Bout 10 Miller, Say Dec 11-7	5 / Bout 18 Street, WF Fall 3:31	6 / Bout 24 Rossi, EI Dec 1-0	2 / Bout 29 Street, WF For.
4	Seamus McBreen SN, 7-7, 10	3 / Bout 5 Street, WF Fall 0:22	6 / Bout 12 Rossi, EI Dec 12-7	1 / Bout 16 Miller, Say TF-1.5 0:00 (18-3)	2 / Bout 23 McBreen, SN For.	5 / Bout 30 McBreen, SN Dec 3-1
5	Thomas Vecchio SN, 4-7, 9	6 / Bout 6 Rossi, EI Dec 5-2	2 / Bout 11 Vecchio, SN Dec 7-4	3 / Bout 18 Street, WF Fall 3:31	1 / Bout 22 Miller, Say Fall 0:50	4 / Bout 30 McBreen, SN Dec 3-1
6	Eric Rossi EI, 11-6, 12	5 / Bout 6 Rossi, EI Dec 5-2	4 / Bout 12 Rossi, EI Dec 12-7	2 / Bout 17 Rossi, EI For.	3 / Bout 24 Rossi, EI Dec 1-0	1 / Bout 28 Miller, Say MD 13-3



Joe Davidson Memorial Tournament

160

Pool A

Jeran, BBP
Sullivan, Say 1 Jeran, BBP
MD 15-4

Destra, Isp
Bye 5 Destra, Isp
Bye

Lapuma, WF
Bye 9 Lapuma, WF
Bye

Jeran, BBP
Bye 13 Jeran, BBP
Bye

Destra, Isp
Lapuma, WF 17 Destra, Isp
Fall 2:19

Sullivan, Say
Bye 21 Sullivan, Say
Bye

Jeran, BBP
Lapuma, WF 25 Jeran, BBP
Dec 6-3

Sullivan, Say
Bye 29 Sullivan, Say
Bye

Destra, Isp
Bye 33 Destra, Isp
Bye

Destra, Isp
Sullivan, Say 37 Sullivan, Say
Dec 11-8

Lapuma, WF
Bye 41 Lapuma, WF
Bye

Jeran, BBP
Bye 45 Jeran, BBP
Bye

Jeran, BBP
Destra, Isp 49 Jeran, BBP
Fall 5:30

Sullivan, Say
Lapuma, WF 53 Sullivan, Say
Fall 3:34

Bye
Bye 57 Bye
Bye

Pool B

Lopresti, Say
Bennett, Mac 2 Lopresti, Say
Dec 7-1

Gonzalez, SN
Bye 6 Gonzalez, SN
Bye

Coleman, EI
Bye 10 Coleman, EI
Bye

Lopresti, Say
Bye 14 Lopresti, Say
Bye

Gonzalez, SN
Coleman, EI 18 Coleman, EI
Fall 1:20

Bennett, Mac
Bye 22 Bennett, Mac
Bye

Lopresti, Say
Coleman, EI 26 Lopresti, Say
Fall 1:37

Bennett, Mac
Bye 30 Bennett, Mac
Bye

Gonzalez, SN
Bye 34 Gonzalez, SN
Bye

Gonzalez, SN
Bennett, Mac 38 Bennett, Mac
Fall 3:35

Coleman, EI
Bye 42 Coleman, EI
Bye

Lopresti, Say
Bye 46 Lopresti, Say
Bye

Lopresti, Say
Gonzalez, SN 50 Lopresti, Say
Fall 2:50

Bennett, Mac
Coleman, EI 54 Bennett, Mac
Fall 3:43

Bye
Bye 58 Bye
Bye

Pool C

DeLaCruz, SE
Rivera, SN 3 DeLaCruz, SE
Fall 1:36

Powers, Mac
Bye 7 Powers, Mac
Bye

Turcios Fu, DP
Bye 11 Turcios Fu, DP
Bye

DeLaCruz, SE
Bye 15 DeLaCruz, SE
Bye

Powers, Mac
Turcios Fu, DP 19 Powers, Mac
MD 12-3

Rivera, SN
Bye 23 Rivera, SN
Bye

DeLaCruz, SE
Turcios Fu, DP 27 DeLaCruz, SE
Fall 1:20

Rivera, SN
Bye 31 Rivera, SN
Bye

Powers, Mac
Bye 35 Powers, Mac
Bye

Powers, Mac
Rivera, SN 39 Powers, Mac
Fall 3:48

Turcios Fu, DP
Bye 43 Turcios Fu, DP
Bye

DeLaCruz, SE
Bye 47 DeLaCruz, SE
Bye

DeLaCruz, SE
Powers, Mac 51 DeLaCruz, SE
Fall 3:42

Rivera, SN
Turcios Fu, DP 55 Rivera, SN
Fall 5:53

Bye
Bye 59 Bye
Bye

Pool D

Fontanez, WF
Perez, DP 4 Fontanez, WF
Fall 1:05

Schomaker, SE
Bye 8 Schomaker, SE
Bye

Bye
Bye 12 Bye
Bye

Fontanez, WF
Bye 16 Fontanez, WF
Bye

Schomaker, SE
Bye 20 Schomaker, SE
Bye

Perez, DP
Bye 24 Perez, DP
Bye

Fontanez, WF
Bye 28 Fontanez, WF
Bye

Perez, DP
Bye 32 Perez, DP
Bye

Schomaker, SE
Bye 36 Schomaker, SE
Bye

Schomaker, SE
Perez, DP 40 Schomaker, SE
Dec 7-4

Bye
Bye 44 Bye
Bye

Fontanez, WF
Bye 48 Fontanez, WF
Bye

Fontanez, WF
Schomaker, SE 52 Fontanez, WF
MD 12-3

Perez, DP
Bye 56 Perez, DP
Bye

Bye
Bye 60 Bye
Bye

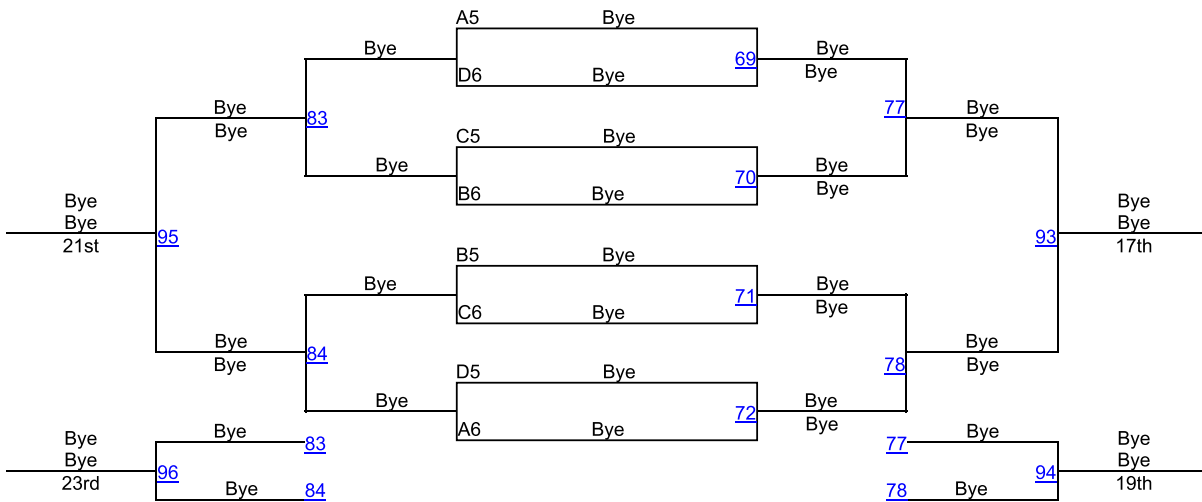
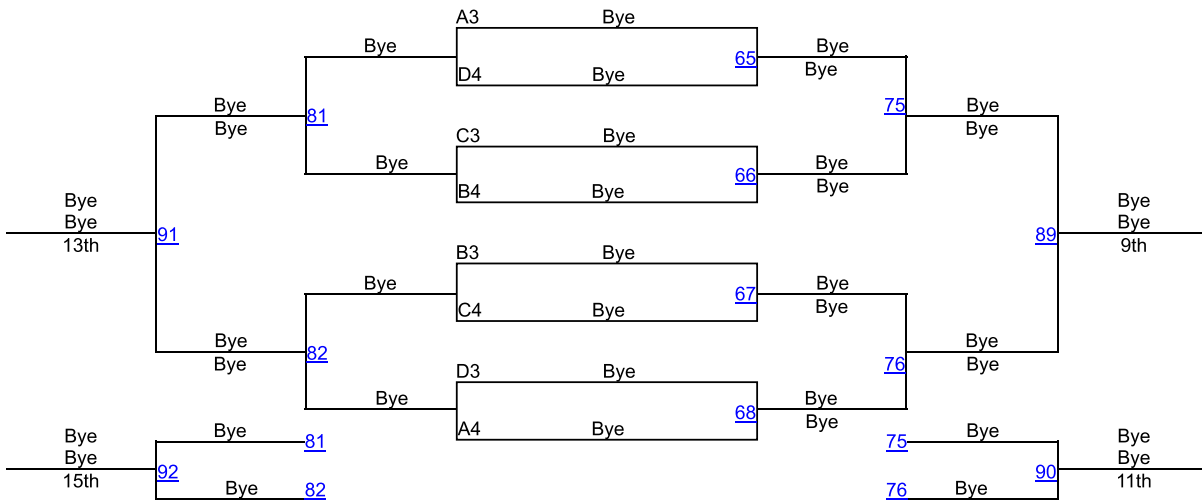
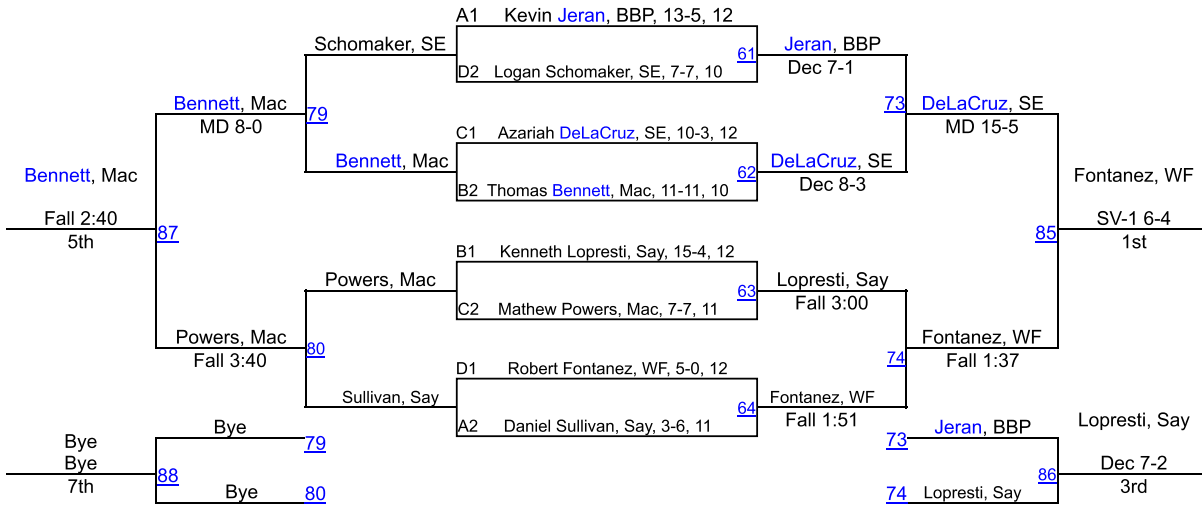
ROUND 1

ROUND 2

ROUND 3

ROUND 4

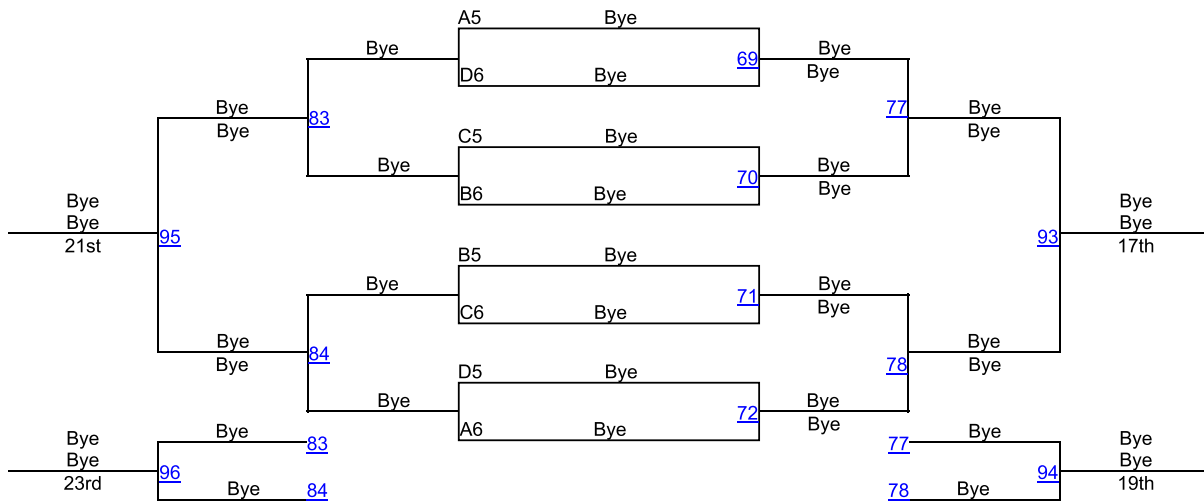
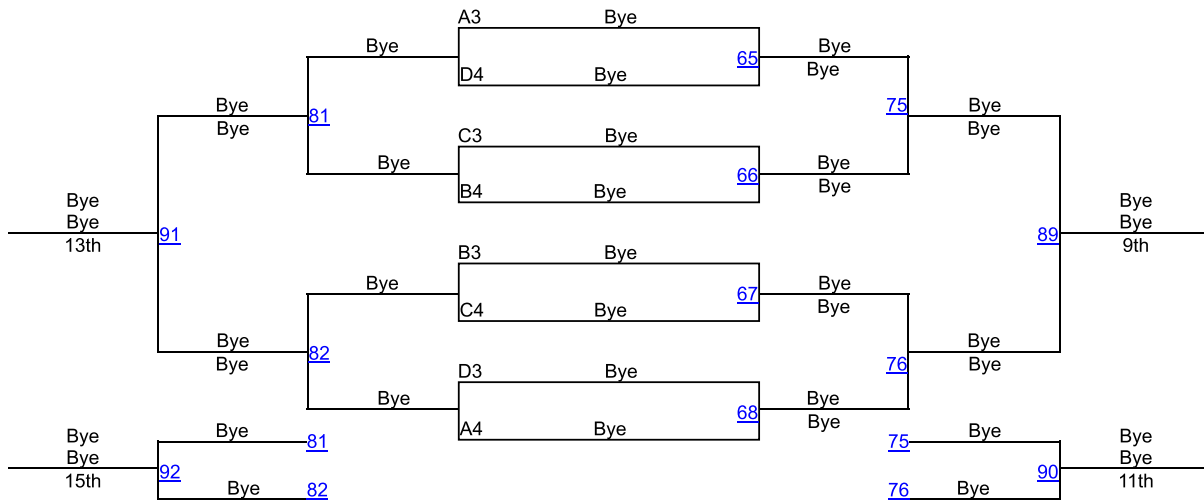
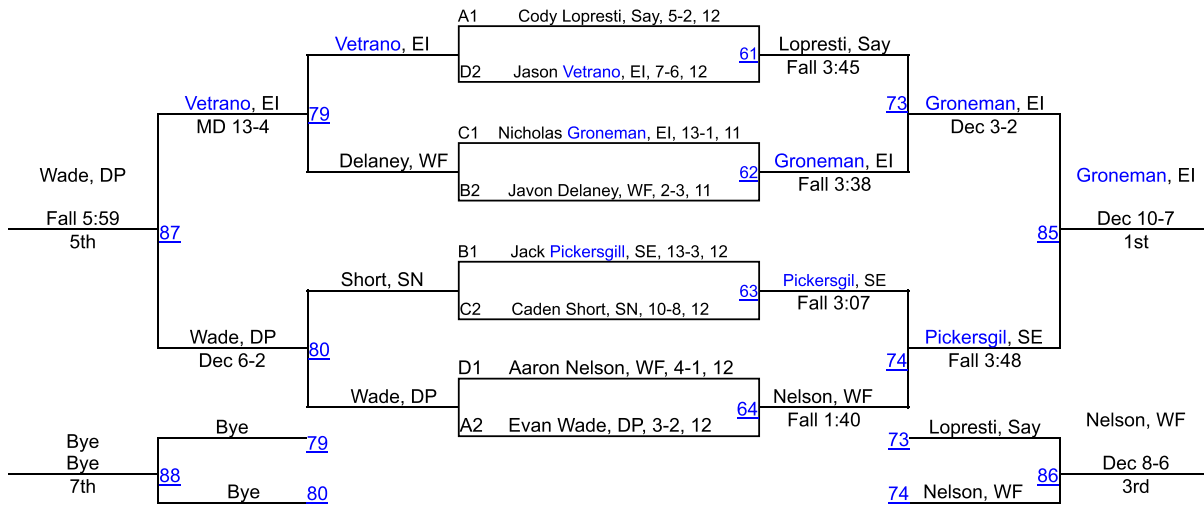
ROUND 5



Joe Davidson Memorial Tournament

172

Pool A	Pool B	Pool C	Pool D
ROUND 1			
Lopresti, Say Stadler, SN 1 Lopresti, Say Fall 0:35	Pickersgil, SE Delaney, WF 2 Pickersgil, SE Fall 1:36	Groneman, EI Ferraro, Isp 3 Groneman, EI Dec 2-1	Lacova, BBP Nelson, WF 4 Nelson, WF Fall 1:37
Bye Bye 5 Bye	Horeis, EI Bye 6 Horeis, EI Bye	Short, SN Bye 7 Short, SN Bye	Vetrano, EI Bye 8 Vetrano, EI Bye
Wade, DP Bye 9 Wade, DP Bye	McCue, ESM Bye 10 McCue, ESM Bye	Bye Bye 11 Bye	Bye Bye 12 Bye
ROUND 2			
Lopresti, Say Bye 13 Lopresti, Say Bye	Pickersgil, SE Bye 14 Pickersgil, SE Bye	Groneman, EI Bye 15 Groneman, EI Bye	Lacova, BBP Bye 16 Lacova, BBP Bye
Bye Wade, DP 17 Wade, DP Bye	Horeis, EI McCue, ESM 18 Horeis, EI Fall 3:19	Short, SN Bye 19 Short, SN Bye	Vetrano, EI Bye 20 Vetrano, EI Bye
Stadler, SN Bye 21 Stadler, SN Bye	Delaney, WF Bye 22 Delaney, WF Bye	Ferraro, Isp Bye 23 Ferraro, Isp Bye	Nelson, WF Bye 24 Nelson, WF Bye
Lopresti, Say Wade, DP 25 Lopresti, Say Dec 5-4	Pickersgil, SE McCue, ESM 26 Pickersgil, SE Fall 0:20	Groneman, EI Bye 27 Groneman, EI Bye	Lacova, BBP Bye 28 Lacova, BBP Bye
Stadler, SN Bye 29 Stadler, SN Bye	Delaney, WF Bye 30 Delaney, WF Bye	Ferraro, Isp Bye 31 Ferraro, Isp Bye	Nelson, WF Bye 32 Nelson, WF Bye
Bye Bye 33 Bye	Horeis, EI Bye 34 Horeis, EI Bye	Short, SN Bye 35 Short, SN Bye	Vetrano, EI Bye 36 Vetrano, EI Bye
ROUND 3			
Bye Stadler, SN 37 Stadler, SN Bye	Horeis, EI Delaney, WF 38 Delaney, WF Fall 3:13	Short, SN Ferraro, Isp 39 Short, SN Fall 3:48	Vetrano, EI Nelson, WF 40 Nelson, WF Fall 4:50
Wade, DP Bye 41 Wade, DP Bye	McCue, ESM Bye 42 McCue, ESM Bye	Bye Bye 43 Bye	Bye Bye 44 Bye
Lopresti, Say Bye 45 Lopresti, Say Bye	Pickersgil, SE Bye 46 Pickersgil, SE Bye	Groneman, EI Bye 47 Groneman, EI Bye	Lacova, BBP Bye 48 Lacova, BBP Bye
ROUND 4			
Lopresti, Say Bye 49 Lopresti, Say Bye	Pickersgil, SE Horeis, EI 50 Pickersgil, SE Dec 11-8	Groneman, EI Short, SN 51 Groneman, EI Fall 3:00	Lacova, BBP Vetrano, EI 52 Vetrano, EI Fall 4:46
Stadler, SN Wade, DP 53 Wade, DP Fall 0:47	Delaney, WF McCue, ESM 54 Delaney, WF Fall 1:12	Ferraro, Isp Bye 55 Ferraro, Isp Bye	Nelson, WF Bye 56 Nelson, WF Bye
Bye Bye 57 Bye	Bye Bye 58 Bye	Bye Bye 59 Bye	Bye Bye 60 Bye



Joe Davidson Memorial Tournament

189

Pool A

Sturek, EI
Brucato, WF 1 Sturek, EI
Fall 0:53

Noman, SN
Bye 5 Noman, SN
Bye

Bye
Bye 9 Bye Bye

Sturek, EI
Bye 13 Sturek, EI
Bye

Noman, SN
Bye 17 Noman, SN
Bye

Brucato, WF
Bye 21 Brucato, WF
Bye

Sturek, EI
Bye 25 Sturek, EI
Bye

Brucato, WF
Bye 29 Brucato, WF
Bye

Noman, SN
Bye 33 Noman, SN
Bye

Noman, SN
Brucato, WF 37 Brucato, WF
Fall 1:52

Bye
Bye 41 Bye Bye

Sturek, EI
Bye 45 Sturek, EI
Bye

Sturek, EI
Noman, SN 49 Sturek, EI
Fall 0:39

Brucato, WF
Bye 53 Brucato, WF
Bye

Bye
Bye 57 Bye Bye

Pool B

Costello, Isp
Gielarowski, WF 2 Costello, Isp
Fall 3:44

Mauro, Mac
Bye 6 Mauro, Mac
Bye

Bye
Bye 10 Bye Bye

Costello, Isp
Bye 14 Costello, Isp
Bye

Mauro, Mac
Bye 18 Mauro, Mac
Bye

Gielarowski, WF
Bye 22 Gielarowski, WF
Bye

Costello, Isp
Bye 26 Costello, Isp
Bye

Gielarowski, WF
Bye 30 Gielarowski, WF
Bye

Mauro, Mac
Bye 34 Mauro, Mac
Bye

Mauro, Mac
Gielarowski, WF 38 Gielarowski, WF
Fall 3:08

Bye
Bye 42 Bye Bye

Costello, Isp
Bye 46 Costello, Isp
Bye

Costello, Isp
Mauro, Mac 50 Costello, Isp
Dec 5-0

Gielarowski, WF
Bye 54 Gielarowski, WF
Bye

Bye
Bye 58 Bye Bye

Pool C

ROUND 1

Maffei, BBP
Merceus, DP 3 Maffei, BBP
MD 14-4

Morales To, SN
Bye 7 Morales To, SN
Bye

Bye
Bye 11 Bye Bye

ROUND 2

Maffei, BBP
Bye 15 Maffei, BBP
Bye

Morales To, SN
Bye 19 Morales To, SN
Bye

Merceus, DP
Bye 23 Merceus, DP
Bye

ROUND 3

Maffei, BBP
Bye 27 Maffei, BBP
Bye

Merceus, DP
Bye 31 Merceus, DP
Bye

Morales To, SN
Bye 35 Morales To, SN
Bye

ROUND 4

Morales To, SN
Merceus, DP 39 Morales To, SN
Fall 2:43

Bye
Bye 43 Bye Bye

Maffei, BBP
Bye 47 Maffei, BBP
Bye

ROUND 5

Maffei, BBP
Morales To, SN 51 Morales To, SN
Fall 1:34

Merceus, DP
Bye 55 Merceus, DP
Bye

Bye
Bye 59 Bye Bye

Pool D

Gsell, SN
Bailey, DP 4 Gsell, SN
Dec 9-2

Taff, Say
Bye 8 Taff, Say
Bye

Horigan, ESM
Bye 12 Horigan, ESM
Bye

Gsell, SN
Bye 16 Gsell, SN
Bye

Taff, Say
Horigan, ESM 20 Taff, Say
MD 14-4

Bailey, DP
Bye 24 Bailey, DP
Bye

Gsell, SN
Horigan, ESM 28 Gsell, SN
Fall 2:28

Bailey, DP
Bye 32 Bailey, DP
Bye

Taff, Say
Bye 36 Taff, Say
Bye

Taff, Say
Bailey, DP 40 Taff, Say
Dec 7-5

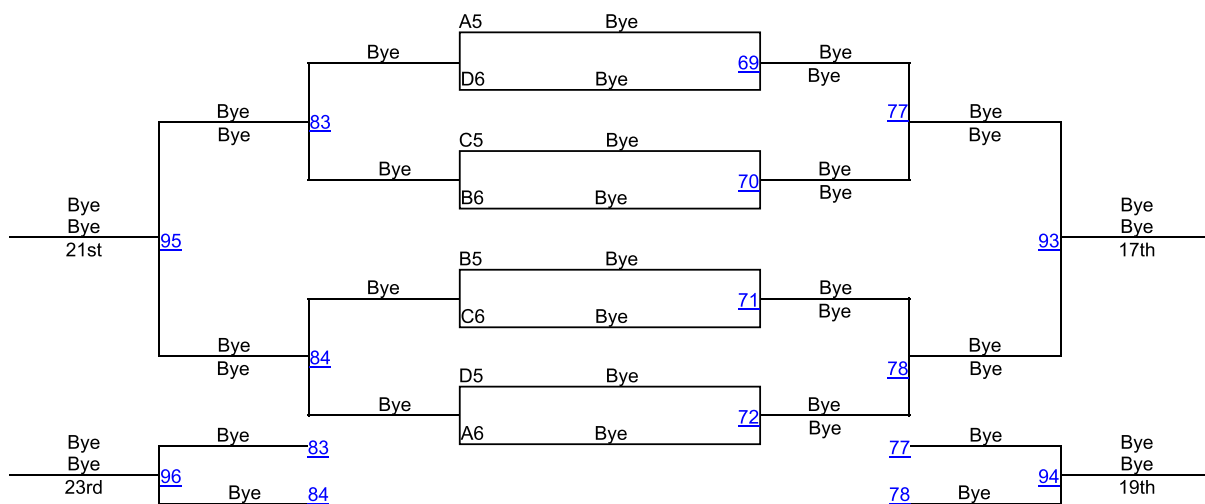
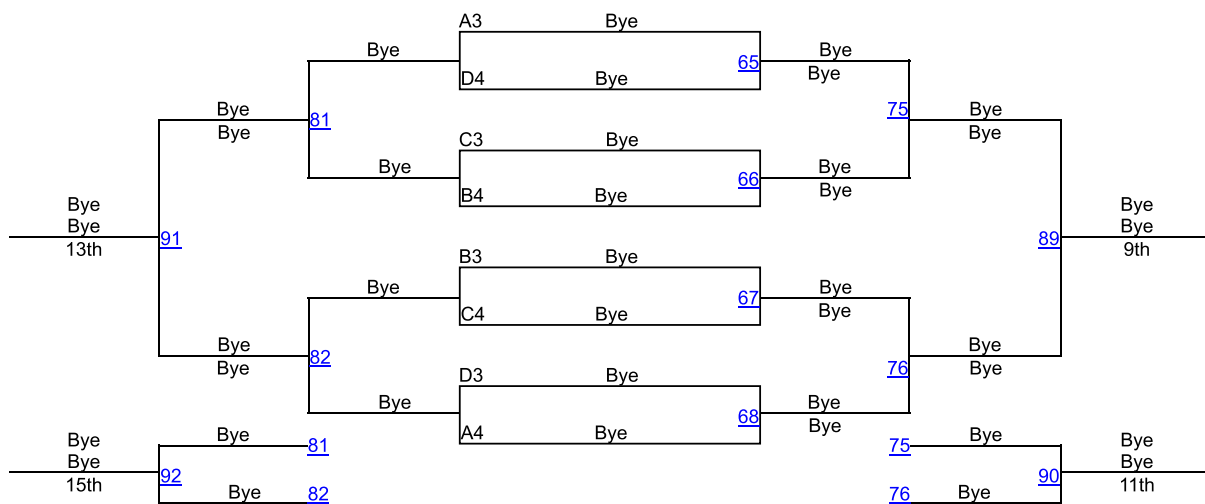
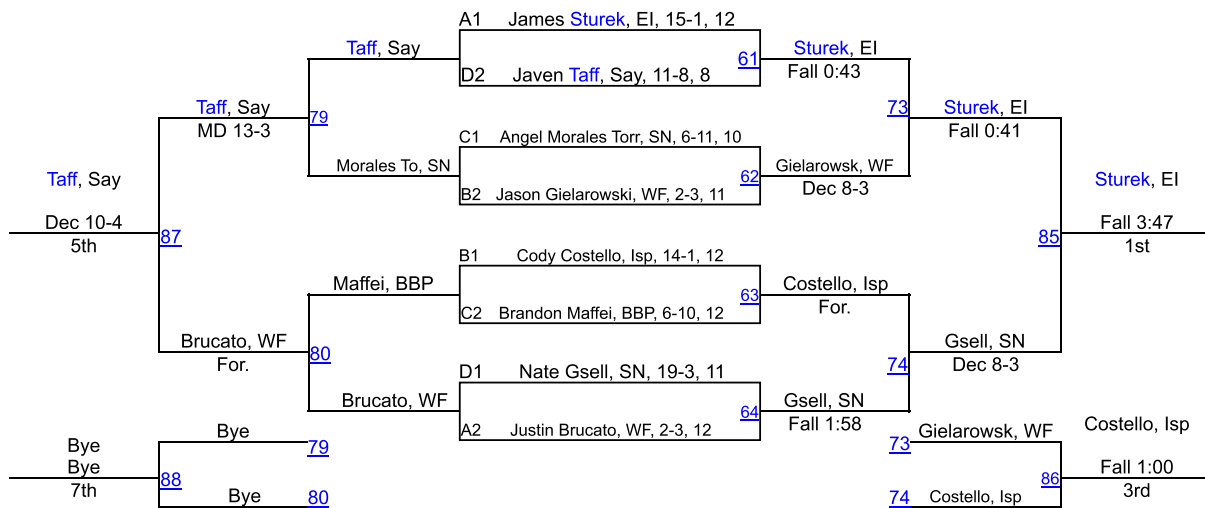
Horigan, ESM
Bye 44 Horigan, ESM
Bye

Gsell, SN
Bye 48 Gsell, SN
Bye

Gsell, SN
Taff, Say 52 Gsell, SN
MD 13-2

Bailey, DP
Horigan, ESM 56 Bailey, DP
Fall 2:54

Bye
Bye 60 Bye Bye

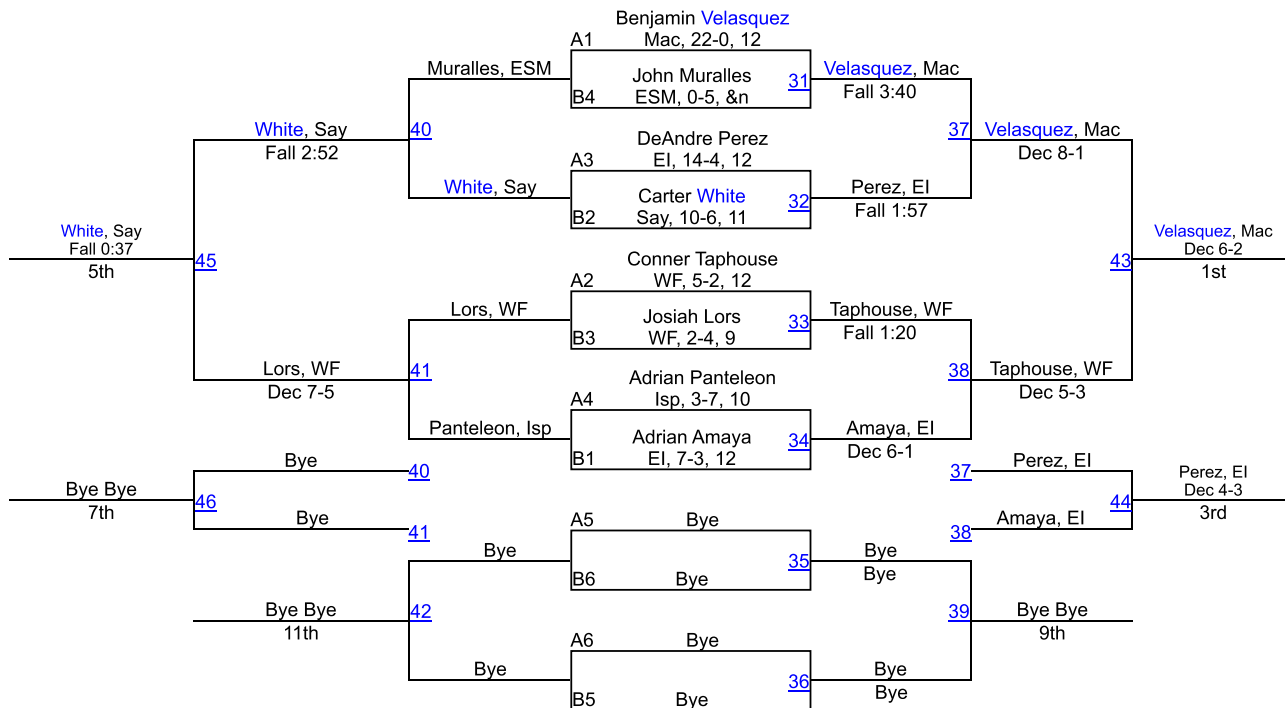


Joe Davidson Memorial Tournament

215

POOL A		Round 1	Round 2	Round 3	Round 4	Round 5
1	Benjamin Velasquez Mac, 22-0, 12	2 / Bout 1 Velasquez, Mac Bye	3 / Bout 7 Velasquez, Mac Fall 4:36	4 / Bout 13 Velasquez, Mac Dec 4-1	5 / Bout 19 Velasquez, Mac Fall 0:43	6 / Bout 25 Velasquez, Mac Fall 1:03
2	Bye	1 / Bout 1 Velasquez, Mac Bye	5 / Bout 8 Spinella, SN Bye	6 / Bout 14 Perez, EI Bye	4 / Bout 20 Taphouse, WF Bye	3 / Bout 26 Panteleon, Isp Bye
3	Adrian Panteleon Isp, 3-7, 10	4 / Bout 2 Taphouse, WF Fall 0:25	1 / Bout 7 Velasquez, Mac Fall 4:36	5 / Bout 15 Panteleon, Isp Dec 4-0	6 / Bout 21 Perez, EI Fall 0:30	2 / Bout 26 Panteleon, Isp Bye
4	Conner Taphouse WF, 5-2, 12	3 / Bout 2 Taphouse, WF Fall 0:25	6 / Bout 9 Taphouse, WF Dec 4-2	1 / Bout 13 Velasquez, Mac Dec 4-1	2 / Bout 20 Taphouse, WF Bye	5 / Bout 27 Taphouse, WF Fall 0:22
5	Logan Spinella SN, 2-6, 9	6 / Bout 3 Perez, EI Fall 1:51	2 / Bout 8 Spinella, SN Bye	3 / Bout 15 Panteleon, Isp Dec 4-0	1 / Bout 19 Velasquez, Mac Fall 0:43	4 / Bout 27 Taphouse, WF Fall 0:22
6	DeAndre Perez EI, 14-4, 12	5 / Bout 3 Perez, EI Fall 1:51	4 / Bout 9 Taphouse, WF Dec 4-2	2 / Bout 14 Perez, EI Bye	3 / Bout 21 Perez, EI Fall 0:30	1 / Bout 25 Velasquez, Mac Fall 1:03

POOL B		Round 1	Round 2	Round 3	Round 4	Round 5
1	Carter White Say, 10-6, 11	2 / Bout 4 White, Say Bye	3 / Bout 10 White, Say Bye	4 / Bout 16 White, Say Fall 1:05	5 / Bout 22 White, Say Fall 1:46	6 / Bout 28 Amaya, EI Fall 5:36
2	Bye	1 / Bout 4 White, Say Bye	5 / Bout 11 Muralles, ESM Bye	6 / Bout 17 Amaya, EI Bye	4 / Bout 23 Lors, WF Bye	3 / Bout 29 Bye Bye
3	Bye	4 / Bout 5 Lors, WF Bye	1 / Bout 10 White, Say Bye	5 / Bout 18 Muralles, ESM Bye	6 / Bout 24 Amaya, EI Bye	2 / Bout 29 Bye Bye
4	Josiah Lors WF, 2-4, 9	3 / Bout 5 Lors, WF Bye	6 / Bout 12 Amaya, EI Dec 4-1	1 / Bout 16 White, Say Fall 1:05	2 / Bout 23 Lors, WF Bye	5 / Bout 30 Lors, WF Fall 3:49
5	John Muralles ESM, 0-5, &n	6 / Bout 6 Amaya, EI Fall 5:06	2 / Bout 11 Muralles, ESM Bye	3 / Bout 18 Muralles, ESM Bye	1 / Bout 22 White, Say Fall 1:46	4 / Bout 30 Lors, WF Fall 3:49
6	Adrian Amaya EI, 7-3, 12	5 / Bout 6 Amaya, EI Fall 5:06	4 / Bout 12 Amaya, EI Dec 4-1	2 / Bout 17 Amaya, EI Bye	3 / Bout 24 Amaya, EI Bye	1 / Bout 28 Amaya, EI Fall 5:36



Joe Davidson Memorial Tournament

285

POOL A		Round 1	Round 2	Round 3	Round 4	Round 5
1	Sebastian Regis EI, 19-0, 11	2 / Bout 1 Regis, EI Bye	3 / Bout 7 Regis, EI Fall 0:35	4 / Bout 13 Regis, EI Fall 0:17	5 / Bout 19 Regis, EI Fall 1:38	6 / Bout 25 Regis, EI Fall 1:40
2	Bye	1 / Bout 1 Regis, EI Bye	5 / Bout 8 Marquina, WF Bye	6 / Bout 14 Christians, Say Bye	4 / Bout 20 Pompeii, ESM Bye	3 / Bout 26 Cordova, Isp Bye
3	Ernesto Cordova Isp, 6-6, 11	4 / Bout 2 Pompeii, ESM Fall 5:01	1 / Bout 7 Regis, EI Fall 0:35	5 / Bout 15 Marquina, WF Fall 0:30	6 / Bout 21 Cordova, Isp Dec 9-2	2 / Bout 26 Cordova, Isp Bye
4	Matt Pompeii ESM, 4-3, &n	3 / Bout 2 Pompeii, ESM Fall 5:01	6 / Bout 9 Pompeii, ESM Fall 5:22	1 / Bout 13 Regis, EI Fall 0:17	2 / Bout 20 Pompeii, ESM Bye	5 / Bout 27 Marquina, WF Fall 1:11
5	Carlos Marquina WF, 5-2, 12	6 / Bout 3 Marquina, WF Fall 0:54	2 / Bout 8 Marquina, WF Bye	3 / Bout 15 Marquina, WF Fall 0:30	1 / Bout 19 Regis, EI Fall 1:38	4 / Bout 27 Marquina, WF Fall 1:11
6	David Christiansen Say, 4-8, 12	5 / Bout 3 Marquina, WF Fall 0:54	4 / Bout 9 Pompeii, ESM Fall 5:22	2 / Bout 14 Christians, Say Bye	3 / Bout 21 Cordova, Isp Dec 9-2	1 / Bout 25 Regis, EI Fall 1:40

POOL B		Round 1	Round 2	Round 3	Round 4	Round 5
1	Juan Pantaleon Isp, 14-1, 12	2 / Bout 4 Pantaleon, Isp Bye	3 / Bout 10 Pantaleon, Isp Fall 1:02	4 / Bout 16 Pantaleon, Isp Bye	5 / Bout 22 Pantaleon, Isp Fall 1:03	6 / Bout 28 Pantaleon, Isp Fall 3:13
2	Bye	1 / Bout 4 Pantaleon, Isp Bye	5 / Bout 11 Kolar, Say Bye	6 / Bout 17 Siegel, SN Bye	4 / Bout 23 Bye Bye	3 / Bout 29 Hernandez, Isp Bye
3	Jonathan Hernandez Isp, 1-6, 10	4 / Bout 5 Hernandez, Isp Bye	1 / Bout 10 Pantaleon, Isp Fall 1:02	5 / Bout 18 Kolar, Say Fall 2:52	6 / Bout 24 Siegel, SN Fall 0:33	2 / Bout 29 Hernandez, Isp Bye
4	Bye	3 / Bout 5 Hernandez, Isp Bye	6 / Bout 12 Siegel, SN Bye	1 / Bout 16 Pantaleon, Isp Bye	2 / Bout 23 Bye Bye	5 / Bout 30 Kolar, Say Bye
5	Mitch Kolar Say, 3-7, 11	6 / Bout 6 Siegel, SN Fall 1:19	2 / Bout 11 Kolar, Say Bye	3 / Bout 18 Kolar, Say Fall 2:52	1 / Bout 22 Pantaleon, Isp Fall 1:03	4 / Bout 30 Kolar, Say Bye
6	Will Siegel SN, 15-5, 12	5 / Bout 6 Siegel, SN Fall 1:19	4 / Bout 12 Siegel, SN Bye	2 / Bout 17 Siegel, SN Bye	3 / Bout 24 Siegel, SN Fall 0:33	1 / Bout 28 Pantaleon, Isp Fall 3:13

